



LITECON FIREWALL 3"

INSTALLATION GUIDE FOR FIREWALL

NOVEMBER 2022

INDEX

INDEX	02
INSTALLATION GUIDELINES	03
BEFORE STARTING	04
LITECON FIREWALL PANEL DIMENSIONS	05
TYPICAL WOOD STUD FRAME	06
ALUMINUM BURN CLIP INSTALLATION	07
LITECON ADHESIVE APPLICATION	08
LITECON FIREWALL PANEL INSTALLATION	09
ALUMINUM BURN CLIP INSTALLATION OPPOSITE SIDE	10
TYPICAL ROOF DETAIL-2 HOUR	11
CRACKS REPAIRING	12
FISSURE REPAIRING	13
FAQ'S	14

INSTALLATION GUIDELINES

THE FOLLOWING DRAWINGS ASSEMBLIES AND CONSTRUCTION DETAILS ARE FOR ILLUSTRATION PURPOSES ONLY.

CONSULT DESIGN AUTHORITY AND CONFIRM COMPLIANCE CODE. LITECON DOES NOT PROVIDE DESIGN SERVICES.

CHECK PLUMB AND ALIGNMENT OF JOIST OR AFTER SUPPORTS.

VERSION:
NOVEMBER 22PRODUCT:
LITECON FIREWALL 3"

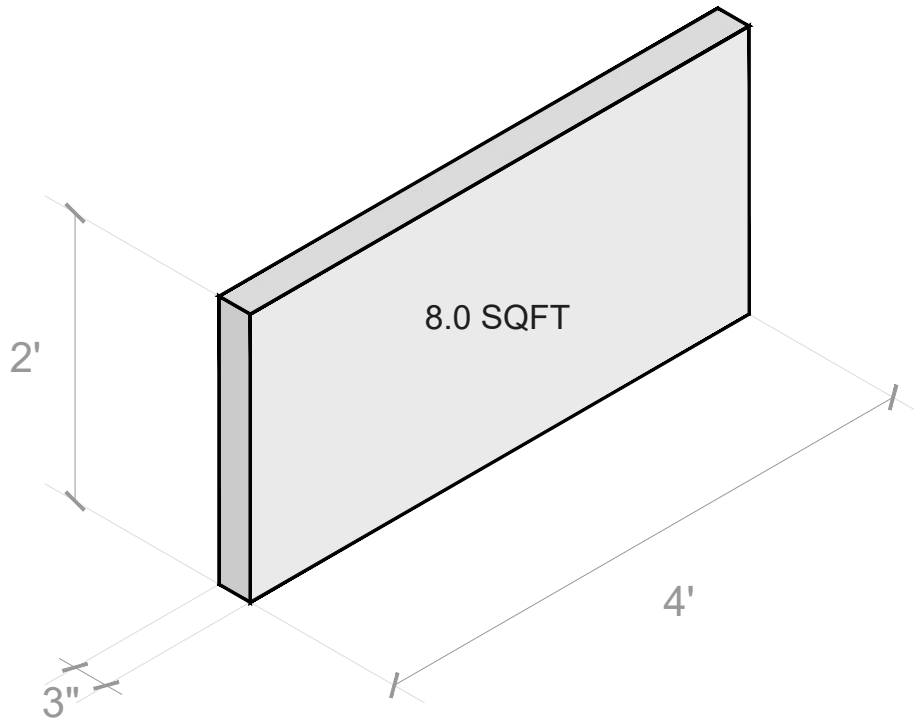
BEFORE STARTING

-
- 1.- BLUEPRINTS
 - 2.- LITECON FIREWALL PANEL 3"
 - 3.- LITECON ADHESIVE
 - 4.- ALUMINUM BURN CLIP
 - 5.- #6X1-1/4" COARSE DRYWALL SCREW-PHOSPHATE COATED-SHARP POINT
 - 6.- #8 X2 SHARP POINT TYPE SCREW MODIFIED TRUSS, WAFER HEAD
 - 7.- TAP WATER
 - 8.- ELECTRIC POWER 110/220V
 - 9.- A 5 GAL. EMPTY BUCKET
 - 10.- GROUT MIXING PADDLE
 - 11.- ELECTRIC DRILL
 - 12.- BATTERY SCREWDRIVER
 - 13.- RUBBER HAMMER
 - 14.- BUBBLE OR LASER KNIFE
 - 15.- JOINT KNIFE
 - 16.- CIRCULAR SAW
 - 17.- 7" DIAMOND TURBO BLADE
-

LITECON FIREWALL PANEL DIMENSIONS

NOMINAL SIZE

2' x 4'

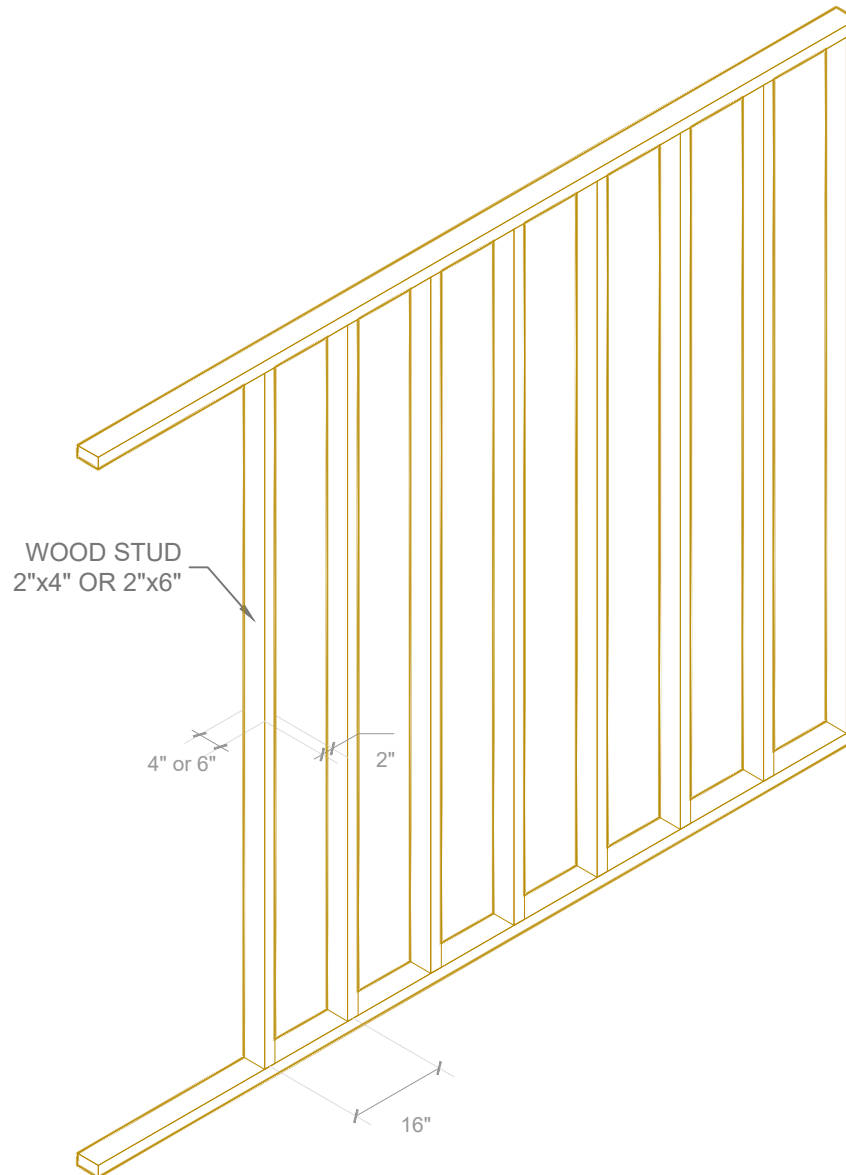


ACTUAL SIZE FIREWALL PANEL	NOMINAL SIZE FIREWALL PANEL
2.95"	3"
23.82"	2'
48.03"	4'
7.94 SQFT	8 SQFT

NOTES

- 1.- LENGTH CAN BE ADJUSTED TO DESIGNS NEEDS (EVERY 0.2 INCHES) UP TO 120"

TYPICAL WOOD STUD FRAME



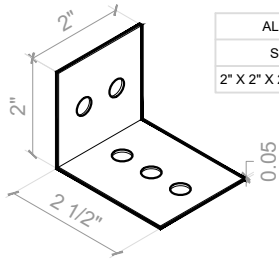
NOTES

- 1.- THE NOMINAL SIZE OF FRAMING STUD IS 2" X 4", THE ACTUAL MEASURE IS 1 1/2" X 3 1/2"
- 2.- THE NOMINAL SIZE OF FRAMING STUD IS 2" X 6", THE ACTUAL MEASURE IS 1 1/2" X 5 1/2"

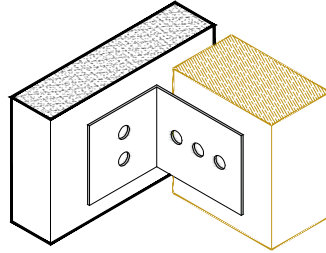
VERSION:
NOVEMBER 22

PRODUCT:
LITECON FIREWALL 3"

ALUMINUM BURN CLIP INSTALLATION



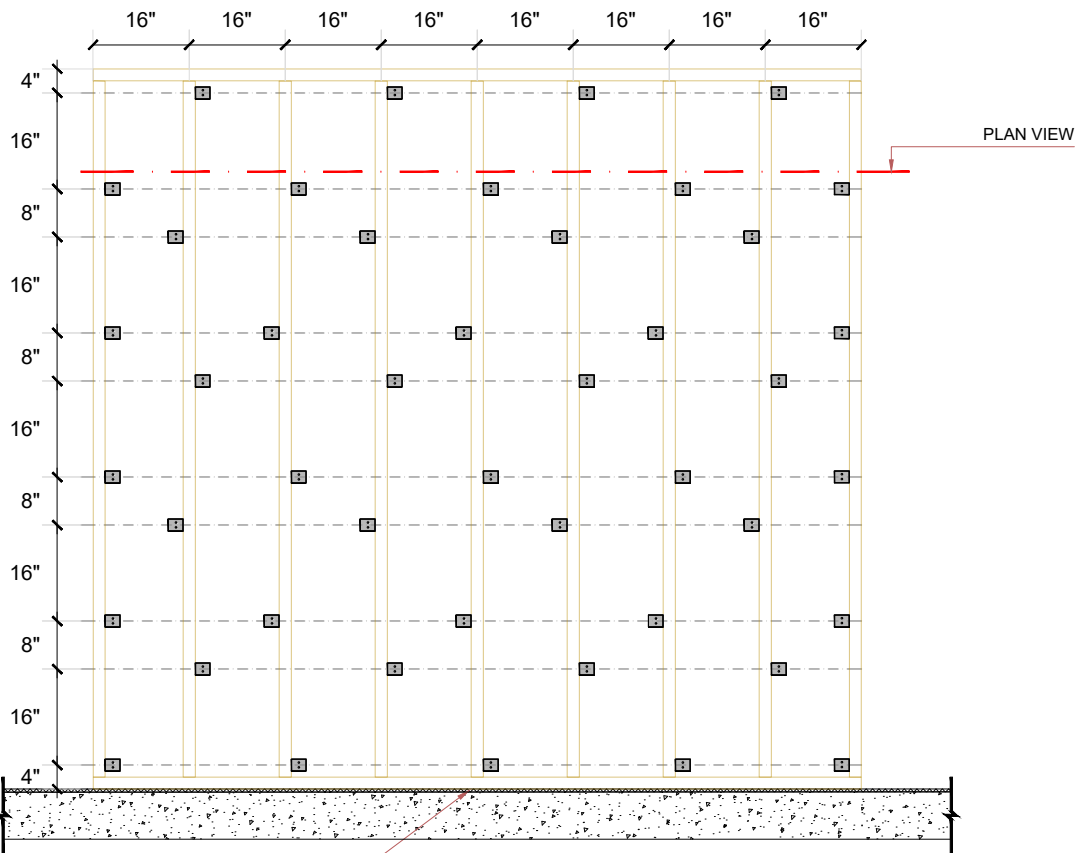
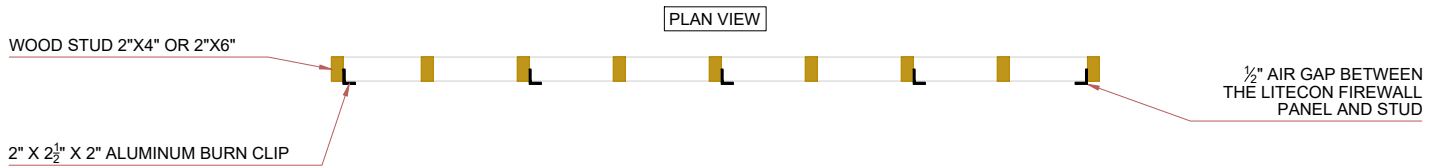
ALUMINUM BURN CLIP	
SIZE	THICKNESS
2" X 2 1/2" X 2 1/2" LONG	0.050"



#6X1-1/4" COARSE DRYWALL SCREW-PHOSPHATE COATED-SHARP POINT



FASTENER FOR STUD



SET FIRST ROW WITH A 1/2" THICK LITECON ADHESIVE OR AS NEEDED TO LEVEL FOUNDATION

NOTES

- 1.- INSTALL THE ALUMINUM BURN CLIP TO WOOD STUD WITH A #6x 1-1/4" COARSE DRYWALL SCREW
- 2.- ALUMINUM BURN CLIPS SPACED MAX 32 IN. HORIZONTALLY AND 2 FT OC VERTICALLY
- 3.- INSTALL THE ALUMINUM BURN CLIP WITH 2 FASTENERS TO WOOD STUD
- 4.- THE LONGER SIDE OF THE CLIP MUST BE PLACED ONTO THE WOOD STUD

LITECON ADHESIVE APPLICATION

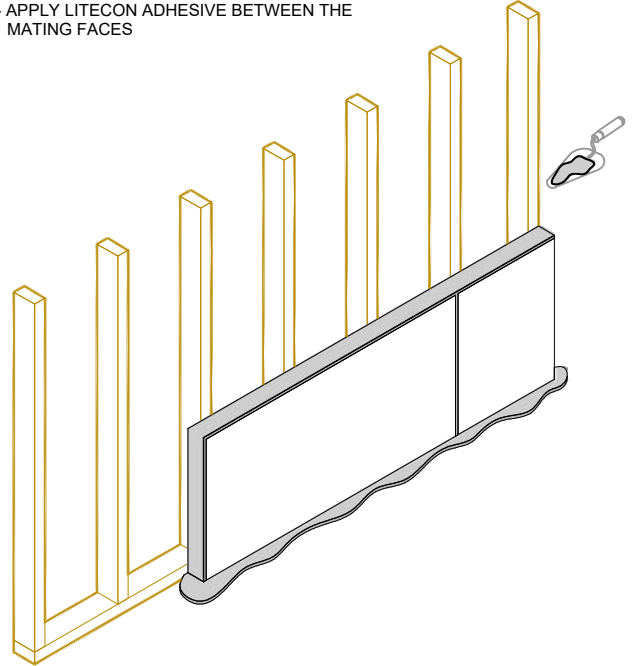


+

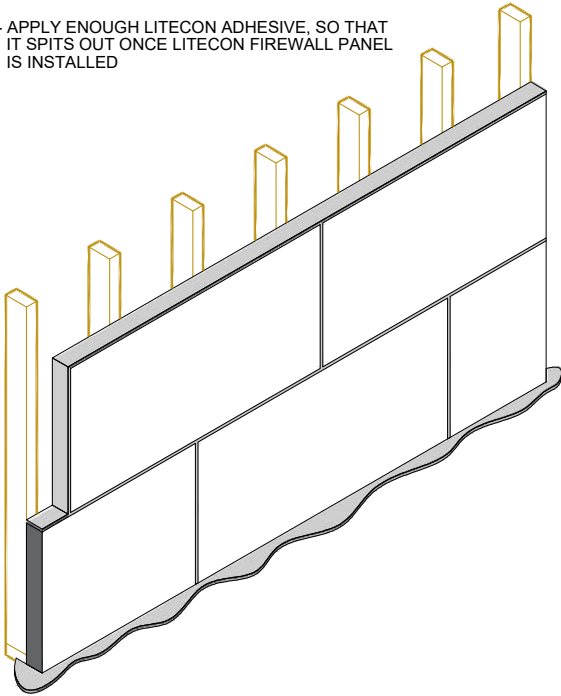


MIX 4/5 gal OF WATER FOR EACH 55 lb OF LITECON ADHESIVE. MIX TO OBTAIN A UNIFORM WORKABLE CONSISTENCY WITH NO CLUMPS. LET REST FOR 5 MINUTES, MIX AGAIN AND APPLY

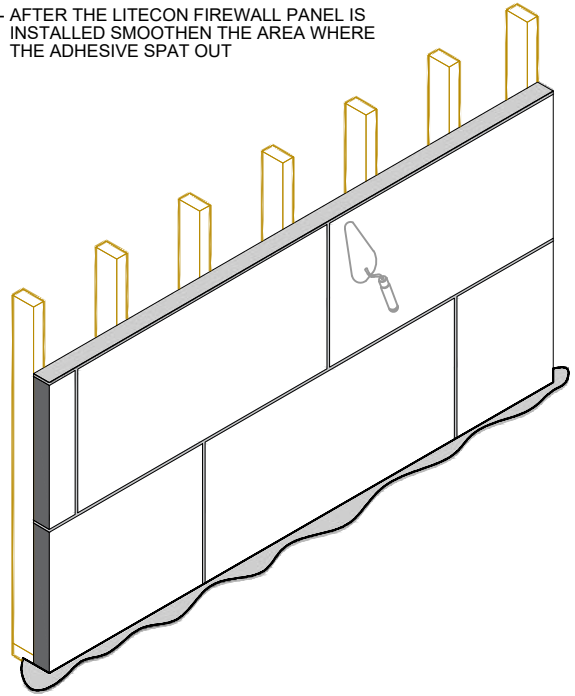
1.- APPLY LITECON ADHESIVE BETWEEN THE MATING FACES



2.- APPLY ENOUGH LITECON ADHESIVE, SO THAT IT SPITS OUT ONCE LITECON FIREWALL PANEL IS INSTALLED



3.- AFTER THE LITECON FIREWALL PANEL IS INSTALLED SMOOTHEN THE AREA WHERE THE ADHESIVE SPAT OUT



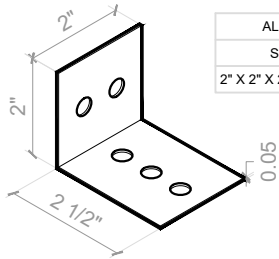
NOTES

- 1.- LEVEL WITH LITECON ADHESIVE AS NEEDED
- 2.- ALLOW LITECON ADHESIVE TO DRY FOR A MINIMUM OF 24 HOURS PRIOR TO APPLYING ANY LOAD

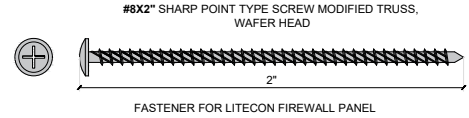
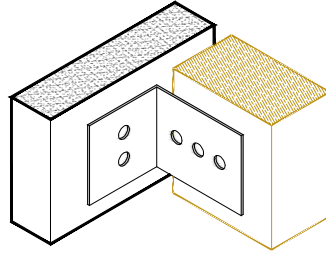
VERSION:
NOVEMBER 22

PRODUCT:
LITECON FIREWALL 3"

LITECON FIREWALL PANEL INSTALLATION



ALUMINUM BURN CLIP	
SIZE	THICKNESS
2" X 2" X 2 1/2" LONG	0.050"



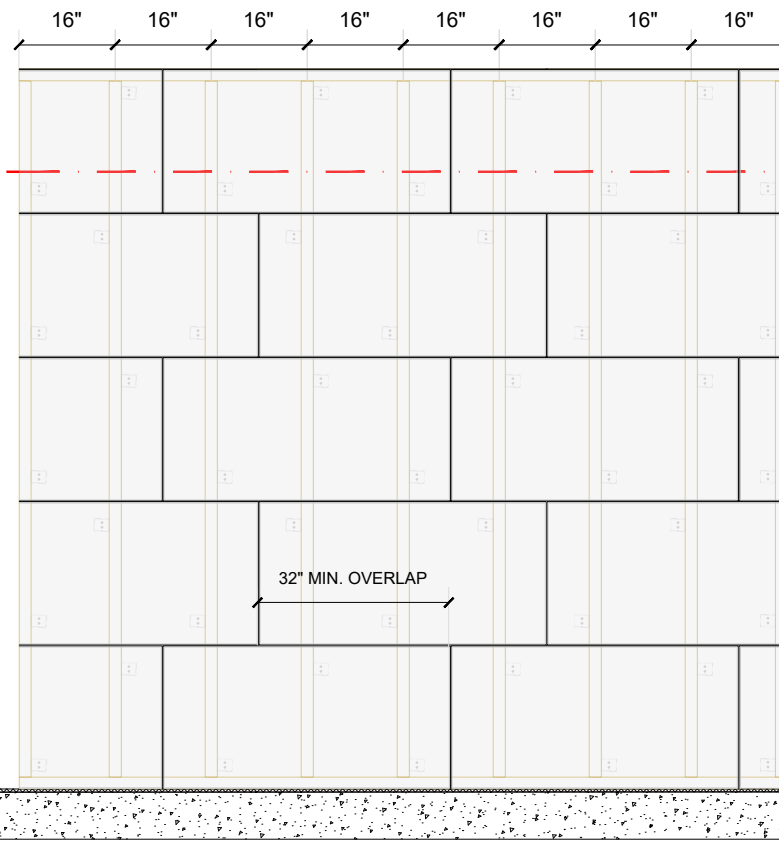
PLAN VIEW

WOOD STUD 2"X4" OR 2"X6"

LITECON FIREWALL 3"

2" X 2 1/2" X 2" ALUMINUM BURN CLIP

1/2" AIR GAP BETWEEN THE LITECON FIREWALL PANEL AND STUD



PLAN VIEW

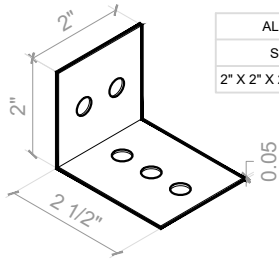
NOTES

- 1.- INSTALL THE ALUMINUM BURN CLIP TO PANEL WITH A #8X2" SHARP POINT TYPE SCREW MODIFIED TRUSS, WAFER HEAD
- 2.- INSTALL 2 FASTENERS TO LITECON FIREWALL PANEL
- 3.- MINIMUM OF THREE ALUMINUM BURN CLIPS PER ENTIRE PANEL AND MINIMUM OF TWO FOR PARTIAL LITECON FIREWALL PANELS
- 4.- THE LONGER SIDE OF THE CLIP MUST BE PLACED ONTO THE WOOD STUD. BE SURE TO ALWAYS MAINTAIN A 1/2" AIR GAP BETWEEN LITECON FIREWALL PANEL AND THE WOOD STUD

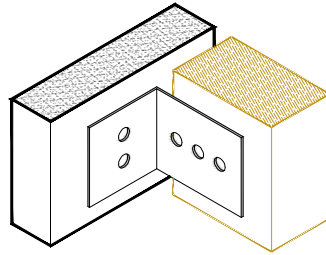
VERSION:
NOVEMBER 22

PRODUCT:
LITECON FIREWALL 3"

ALUMINUM BURN CLIP INSTALLATION OPPOSITE SIDE



ALUMINUM BURN CLIP	
SIZE	THICKNESS
2" X 2" X 2 1/2" LONG	0.050"



#6X1-1/4" COARSE DRYWALL SCREW-PHOSPHATE COATED-SHARP POINT



FASTENER FOR STUD

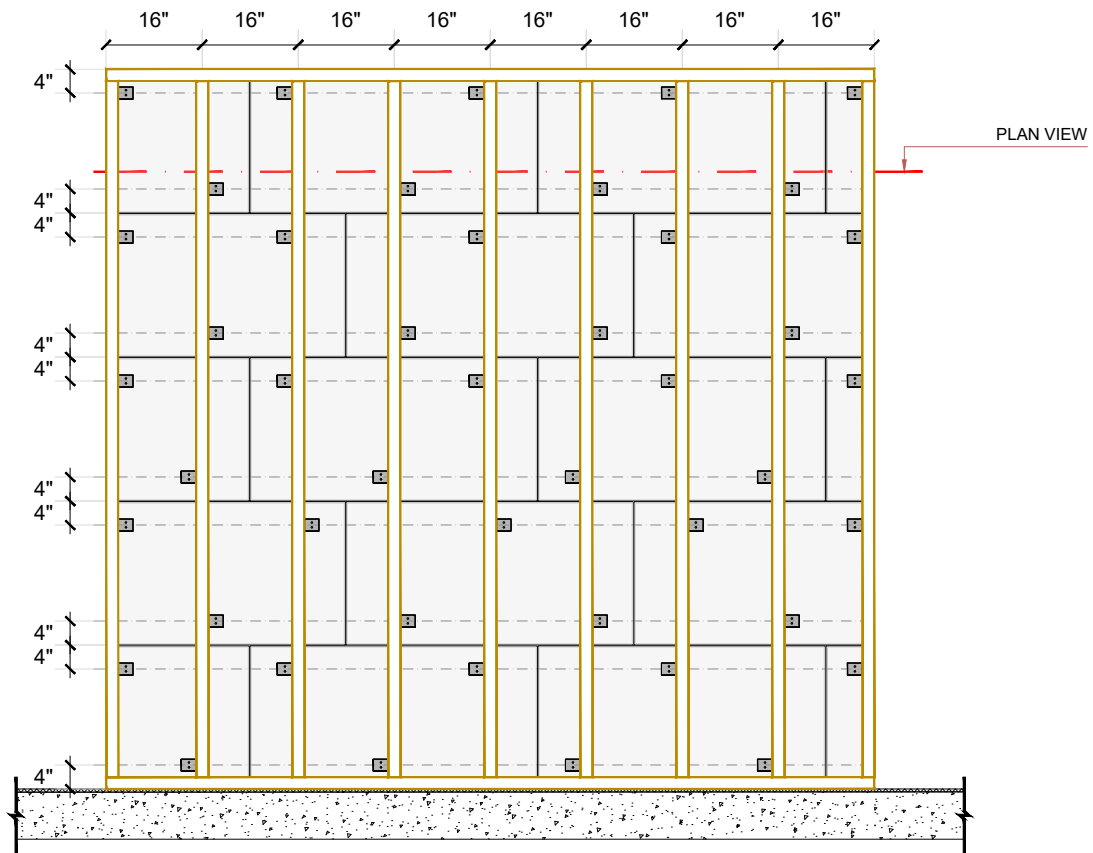
PLAN VIEW

WOOD STUD 2"X4" OR 2"X6"

LITECON FIREWALL 3"

2" X 2 1/2" X 2" ALUMINUM BURN CLIP

1/2" AIR GAP BETWEEN THE LITECON FIREWALL PANEL AND STUD

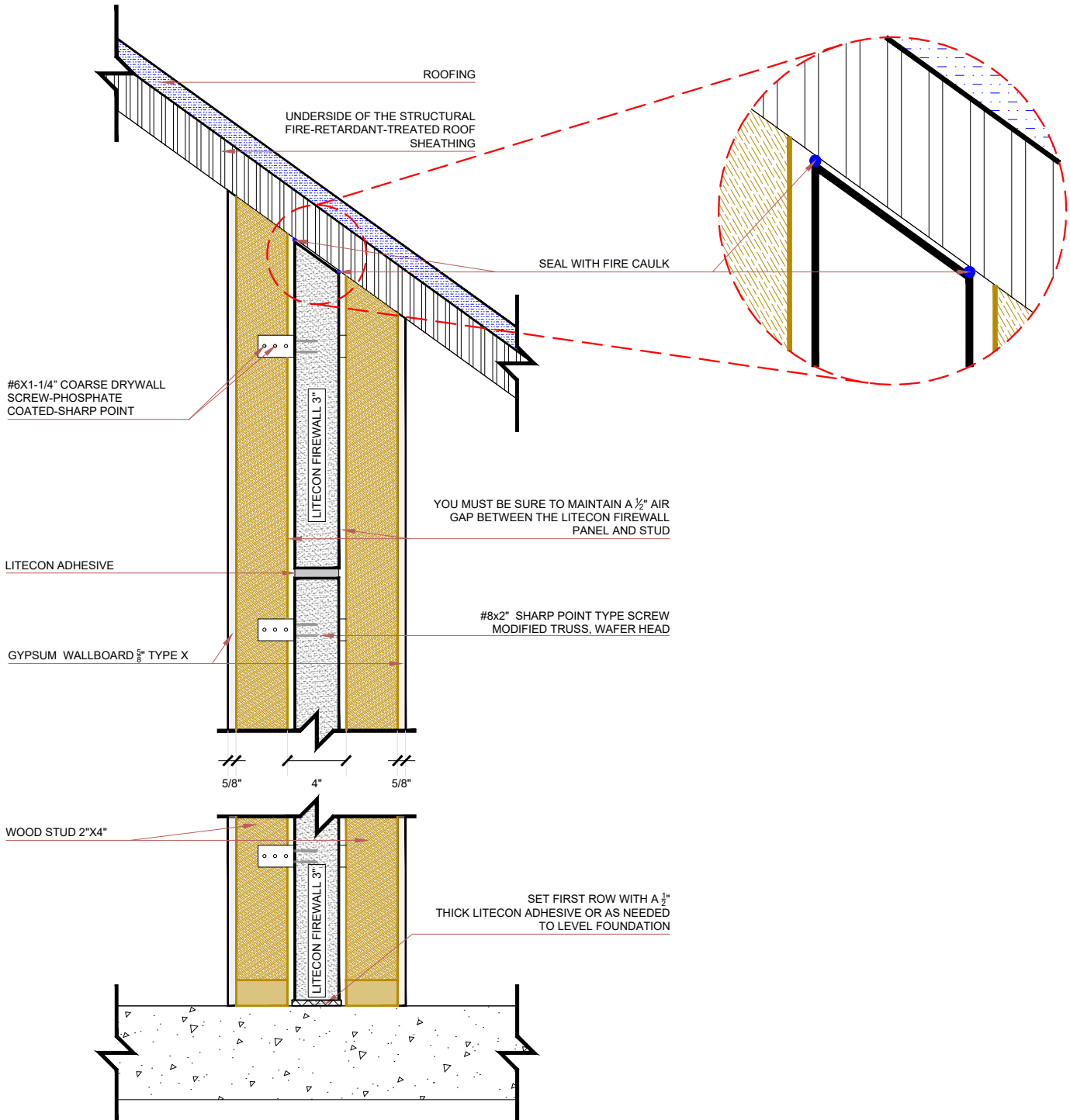


PLAN VIEW

NOTES

- 1.- THE INSTALLATION OF CLIPS ON OPPOSITE SIDE SHOULD BE PLACED IN REVERSE ORDER TO AVOID MEETING ANOTHER SCREW FROM THE OPPOSITE SIDE OF THE WALL
- 2.- INSTALL THE ALUMINUM BURN CLIP TO WOOD STUD WITH A #6x 1-1/4" COARSE DRYWALL SCREW
- 3.- INSTALL THE ALUMINUM BURN CLIP TO PANEL WITH A #8X2" SHARP POINT TYPE SCREW MODIFIED TRUSS, WAFER HEAD
- 4.- INSTALL THE ALUMINUM BURN CLIP WITH 2 FASTENERS TO WOOD STUD AND 2 FASTENERS TO THE LITECON FIREWALL PANEL
- 5.- MINIMUM OF THREE ALUMINUM BURN CLIPS PER ENTIRE PANEL AND MINIMUM OF TWO FOR PARTIAL LITECON FIREWALL PANELS
- 6.- THE LONGER SIDE OF THE CLIP MUST BE PLACED ONTO THE WOOD STUD. BE SURE TO ALWAYS MAINTAIN A 1/2" AIR GAP BETWEEN LITECON FIREWALL PANEL AND THE WOOD STUD

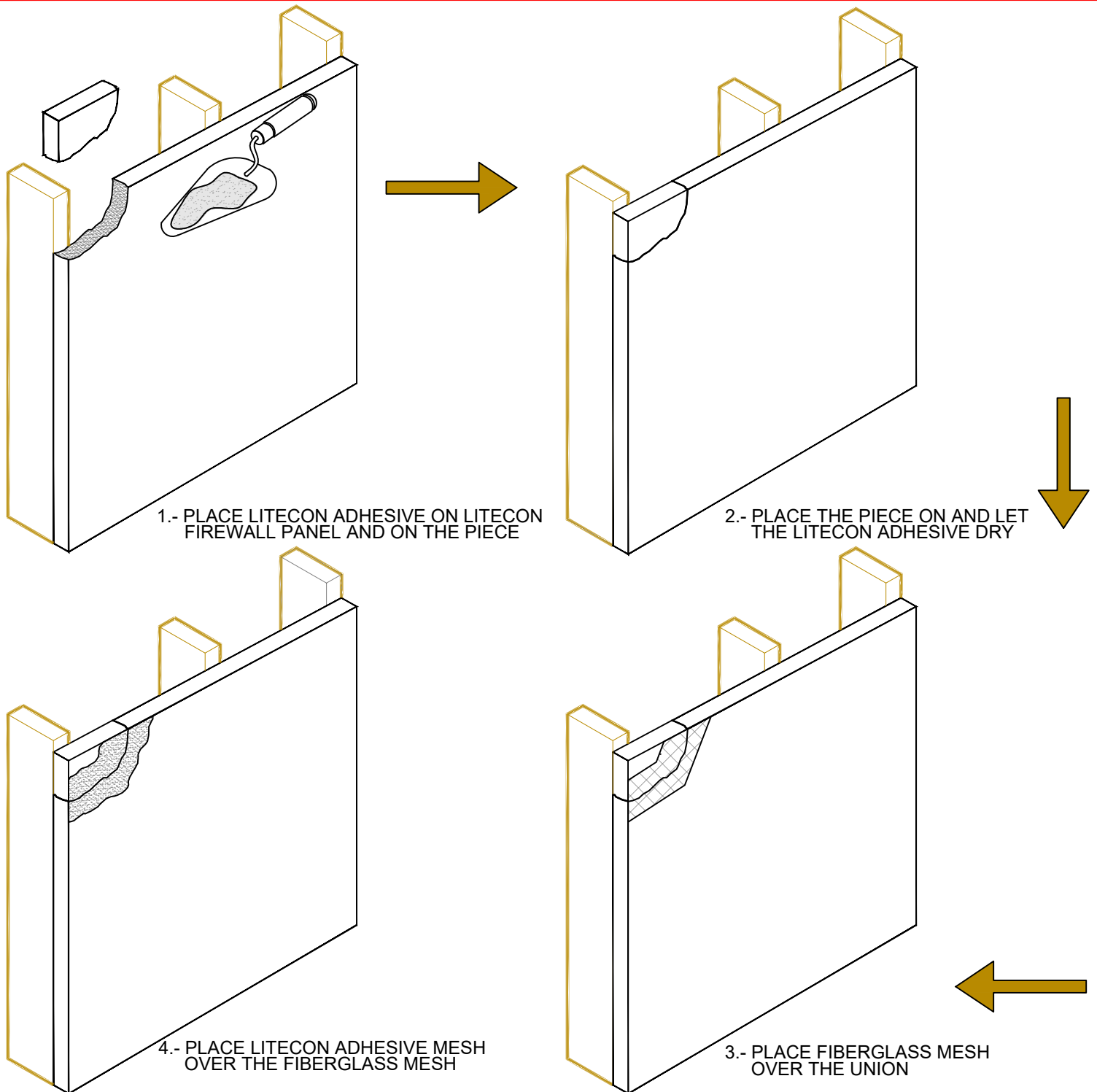
TYPICAL ROOF DETAIL-2 HOUR



NOTES

- 1.- LITECON FIREWALL PANELS SHALL TERMINATE AT THE UNDERSIDE OF CODE APPROVED FIRE-RATED ROOF SHEATHING.
- 2.- WHERE THE LITECON FIREWALL PANELS ARE NOT TIGHT TO THE UNDERSIDE OF STRUCTURAL ROOF SHEATHING, FIRE-CAULKING MATERIAL SHALL BE APPLIED TO BOTH SIDES OF THE AREA SEPARATION WALL.

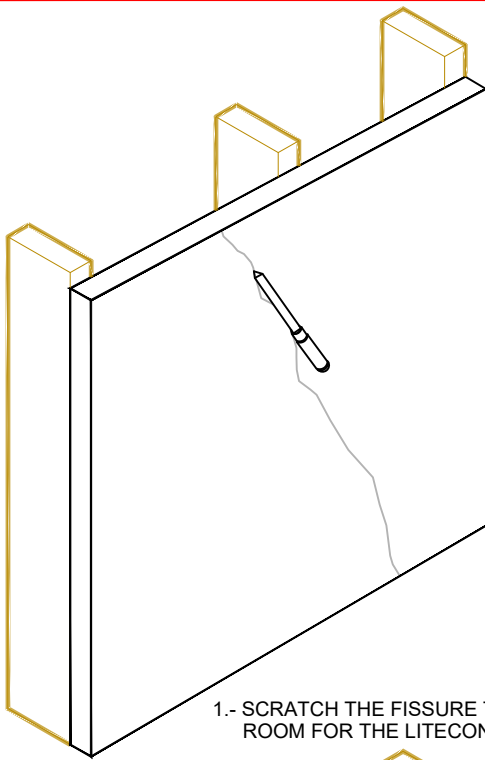
CRACKS REPAIRING



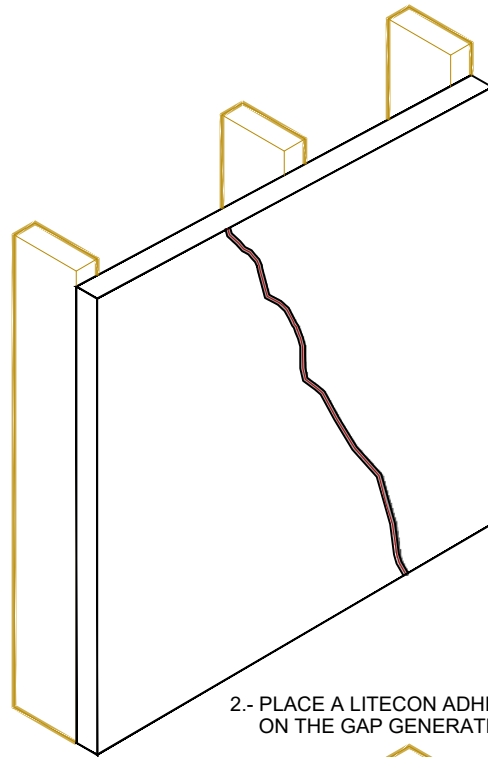
NOTES

1. YOU MUST BE SURE TO FILL THE FISSURE WITH ENOUGH LITECON ADHESIVE ON THE GAP

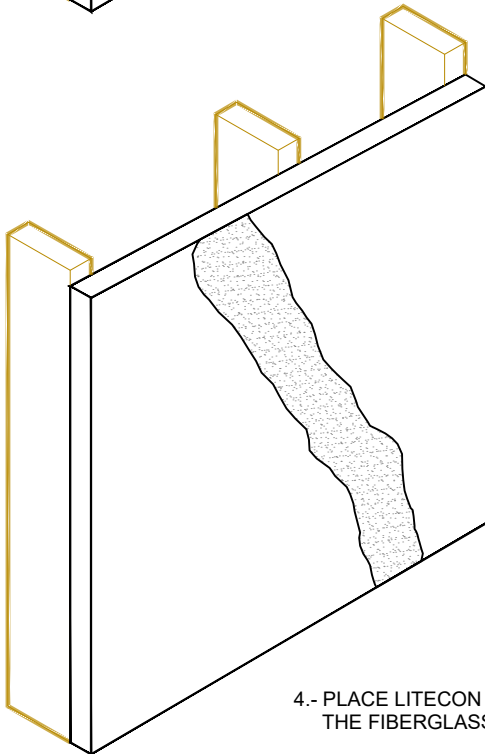
FISSURE REPAIRING



1.- SCRATCH THE FISSURE TO MAKE ROOM FOR THE LITECON ADHESIVE

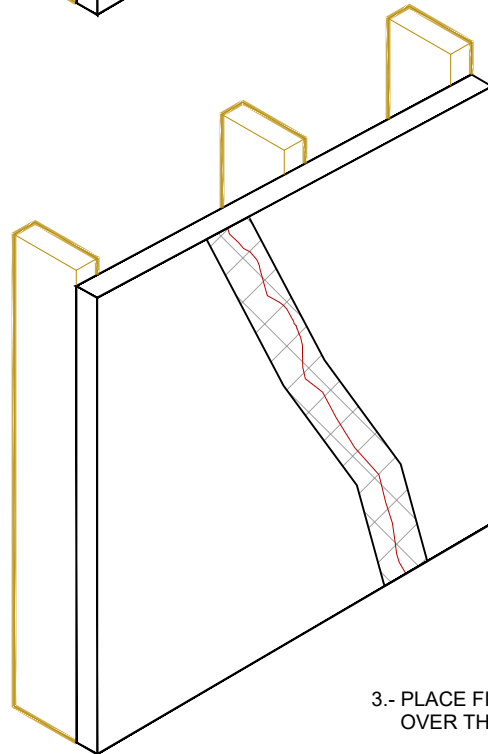


2.- PLACE A LITECON ADHESIVE ON THE GAP GENERATED



3.- PLACE FIBERGLASS MESH OVER THE FISSURE

4.- PLACE LITECON ADHESIVE OVER THE FIBERGLASS MESH



NOTES

1. YOU MUST BE SURE TO FILL THE FISSURE WITH ENOUGH LITECON ADHESIVE ON THE GAP

VERSION:
NOVEMBER 22PRODUCT:
LITECON FIREWALL 3"

FAQ'S

BEFORE LITECON FIREWALL PANEL INSTALLATION

- Q. WHAT DO I NEED TO CHECK BEFORE I START?
- R. HAVE ALL THE NECESSARY MATERIALS AND TOOLS HAVE A CUTTING AREA
- Q. HOW DO I PREPARE THE LITECON ADHESIVE?
- A. IN A 5 GALLON BUCKET PUT 2 INCHES OF CLEAN WATER, POUR HALF OF A BAG OF LITECON ADHESIVE AND STIR UNTIL THERE ARE NO LUMPS, LET IT REST FOR 5 MINUTES AND GIVE A LAST STIR
- Q. HOW MUCH LITECON ADHESIVE SHOULD I PREPARE?
- A. IT IS RECOMMENDED TO PREPARE HALF A BAG SO IT DOESN'T DRY OUT(PREPARED ADHESIVE LASTS 30 MINUTES)

LITECON FIREWALL PANEL INSTALLATION

- Q. HOW CAN I LEVEL THE FIRST ROW?
- A. YOU CAN LEVEL WITH LITECON ADHESIVE



LITECON FIREWALL 3"

INSTALLATION GUIDE FOR FIREWALL

NOVEMBER 2022