

SP SUBFLOOR PANEL

SUBFLOOR PANEL HAS AN INTERNAL STEEL MESH DESIGNED IN ACCORDANCE WITH THE RECOMMENDATIONS OF THE AMERICAN CONCRETE INSTITUTE (ACI) GUIDE FOR DESIGN & CONSTRUCTION WITH AUTOCLAVED AERATED CONCRETE PANELS.

These Panels can be placed on any structure (wood, steel or concrete).



SPECS

PARAMETERS	UNITS	VALUES
Compressive Strength	psi	590
Nominal Density	lb/ ft ³	30.4
Real Density	lb/ ft ³	33.4
R Value per inch	h ft ² °F/BTU	1.2
Elastic modulus	ksi	326.9
Drying shrinkage	%	0.0015



WORKFORCE PERFORMANCE

PRODUCT PLACEMENT	PERFORMANCE
Subfloor Panel	800-1000 ft ² /workday

Squad: Officer and assistant.

MEASUREMENTS

THICKNESS (in)	HEIGHT (in)	LENGTH (in)	AREA (ft ²)	WEIGHT x PIECE (lb)	WEIGHT x FT ² (lb)
1.97	24	48	8.00	44.08	5.51
1.97	24	64	10.66	58.75	5.51
1.97	24	72	12.01	66.17	5.51
1.97	24	80	13.35	73.58	5.51
1.97	24	96	16.00	88.16	5.51
2.95	24	48	8.00	66.16	8.27
2.95	24	64	10.66	88.19	8.27
2.95	24	72	12.01	99.31	8.27
2.95	24	80	13.35	110.43	8.27
2.95	24	96	16.00	132.32	8.27

LOADS

	DIMENSIONS			CLASS	DESIGN LOADS		MAX SPAN (in)
	THICK (in)	WIDTH (in)	LENGTH (in)		DL(psf)	LL(psf)	
2" x 24" x 48"	1.97	24	48	AAC-4	38	100	16
2" x 24" x 48"	1.97	24	48	AAC-4	27	60	24
2" x 24" x 48"	1.97	24	48	AAC-6	10	100	24
2" x 24" x 64"	1.97	24	64	AAC-4	36	100	16
2" x 24" x 72"	1.97	24	72	AAC-4	32	60	24
2" x 24" x 72"	1.97	24	72	AAC-6	10	100	24
2" x 24" x 80"	1.97	24	80	AAC-4	36	100	16
2" x 24" x 96"	1.97	24	96	AAC-4	36	100	16
2" x 24" x 96"	1.97	24	96	AAC-4	30	60	24
2" x 24" x 96"	1.97	24	96	AAC-6	10	100	24
3" x 24" x 48"	2.95	24	48	AAC-4	123	100	16
3" x 24" x 48"	2.95	24	48	AAC-4	28	100	24
3" x 24" x 64"	2.95	24	64	AAC-4	121	100	16
3" x 24" x 72"	2.95	24	72	AAC-4	35	100	24
3" x 24" x 80"	2.95	24	80	AAC-4	120	100	16
3" x 24" x 96"	2.95	24	96	AAC-4	120	100	16
3" x 24" x 96"	2.95	24	96	AAC-4	33	100	24

NOTE: Loads should be reviewed by project's Professional Engineer.



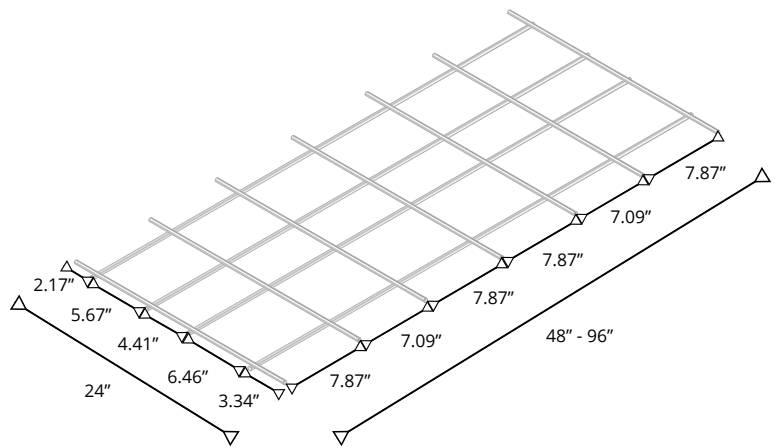
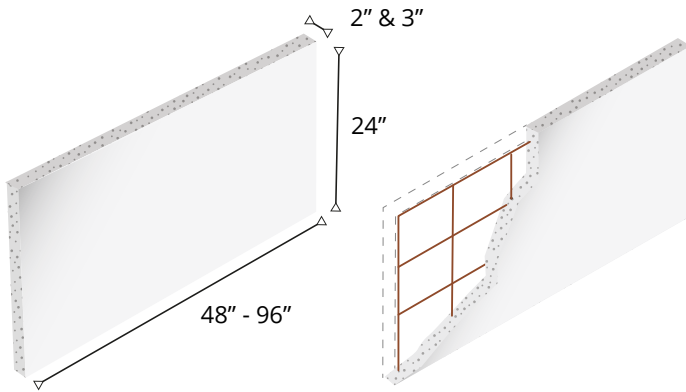
SP SUBFLOOR PANEL

TESTS

PARAMETERS	RECORDED MEASUREMENT	RESULTS	NOTES:
Transverse Loading Test	190 lb/ft ²	Pass	<ol style="list-style-type: none"> Testing was conducted in accordance with the method designated in Testing Application Standard ASTM C 1452 Standard Specification for Reinforced Autoclaved Aerated Concrete Elements, with supports every 16 inches.

DIMENSIONS

Mesh design applies for 2" and 3" Subfloor Panel



NOTES:

- General tolerances +/- 3 mm.
- Tolerances not accumulative.
- Steel without sharp edges.
- Steel jointed using electric weld in compliance with ASTM C1694-09.
- Minimum Resistance to shear of the joint 495 lbf (2.2 KN).
- Drawn wire SAE 1008 Cal. 8 (Ø4.04mm) Grade 70.
- Yield strength >= 70 ksi (485 Mpa).
- Tensile strength >= 80 ksi (550 Mpa).
- Reduction of area >= 30%.
- Steel covered with corrosion protection in compliance with ASTM C1694-09 (corrosion shall not exceed 5% of total surface area).

