



LITECON FIREWALL 2", 3" OR 4"

INSTALLATION GUIDE FOR FIREWALL

April 2026

INDEX

INDEX	02
INSTALLATION GUIDELINES AND BEFORE STARTING	03
LITECON FIREWALL PANEL DIMENSIONS	04
TYPICAL WOOD STUD FRAME	05
ALUMINUM BURN CLIP INSTALLATION	06
ALUMINUM BURN CLIP DISTRIBUTION	07
LITECON ADHESIVE APPLICATION	08
LITECON FIREWALL PANEL INSTALLATION	09
ALUMINUM BURN CLIP DISTRIBUTION OPPOSITE SIDE	10
CRACKS AND FISSURE REPAIRING	11
PENETRATION DETAIL	12
TYPICAL AAC ROOF/ PARAPET JOINTS	13
TYPICAL EXTERIOR WALL JOINTS	14
FAQ'S	15

INSTALLATION GUIDELINES

THE FOLLOWING DRAWINGS ASSEMBLIES AND CONSTRUCTION DETAILS ARE FOR ILLUSTRATION PURPOSES ONLY.

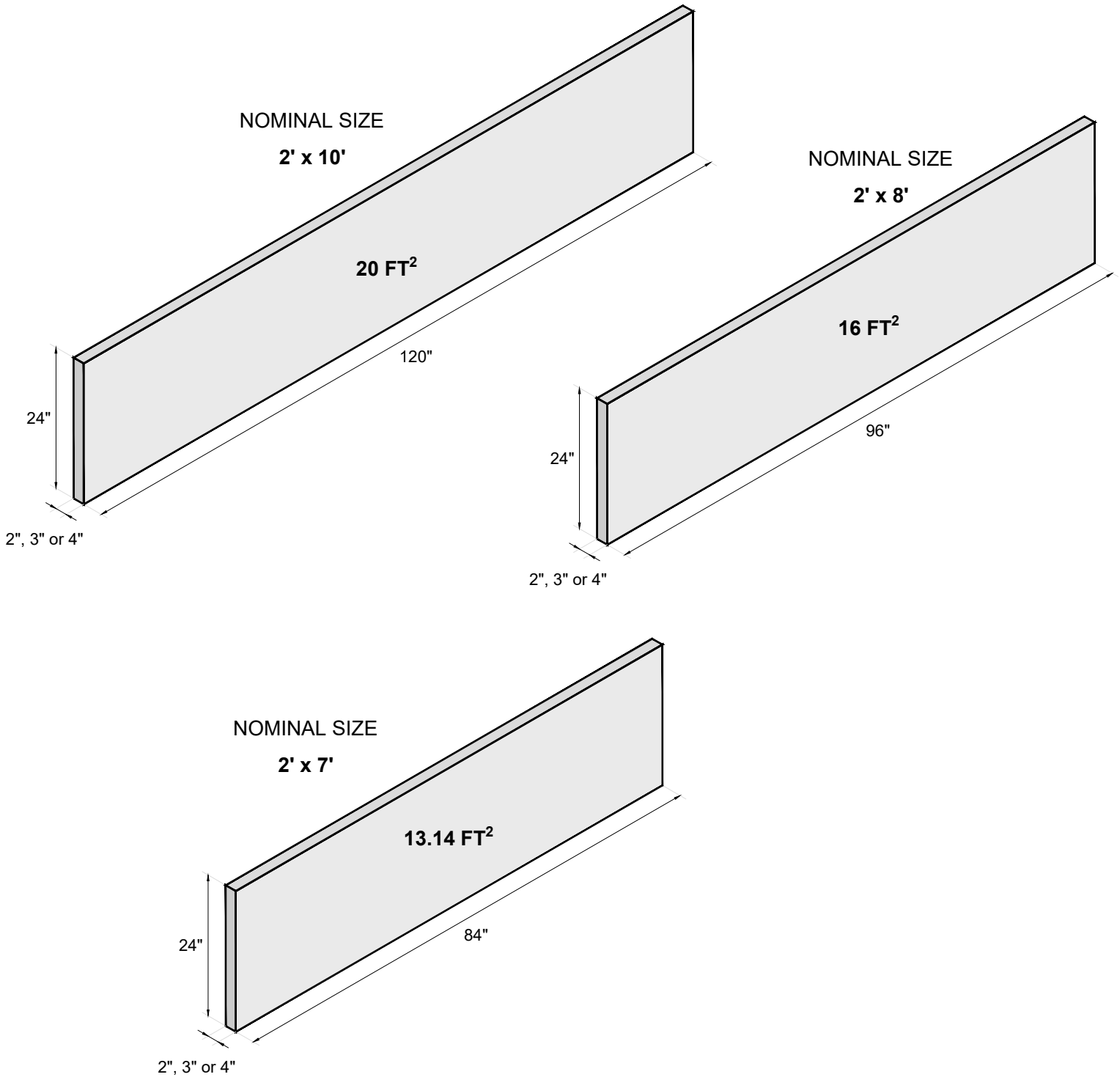
CONSULT DESIGN AUTHORITY AND CONFIRM COMPLIANCE CODE. LITECON DOES NOT PROVIDE DESIGN SERVICES.

CHECK PLUMB AND ALIGNMENT OF JOIST OR AFTER SUPPORTS.

BEFORE STARTING

- 1.- BLUEPRINTS
- 2.- LITECON FIREWALL PANEL 2", 3" OR 4"
- 3.- LITECON ADHESIVE
- 4.- ALUMINUM BURN CLIP 2" X 2" X 21/2" LONG THICKNESS 0.050"
- 5.- #8 X 1 1/2" SHARP POINT TYPE SCREW MODIFIED TRUSS, WAFER HEAD
- 6.- #8 X 1/2" SHARP POINT TYPE SCREW MODIFIED TRUSS, WAFER HEAD (FOR METAL)
- 7.- #6X1-1/4" COARSE DRYWALL SCREW-PHOSPHATE (WOOD) COATED-SHARP POINT
- 8.- TAP WATER
- 9.- ELECTRIC POWER 110/220V
- 10.- A 5 GAL. EMPTY BUCKET
- 11.- GROUT MIXING PADDLE
- 12.- ELECTRIC DRILL
- 13.- BATTERY SCREWDRIVER
- 14.- RUBBER HAMMER}
- 15.- BUBBLE OR LASER KNIFE
- 16.- JOINT KNIFE
- 17.- CIRCULAR SAW
- 18.- 7" DIAMOND TURBO BLADE

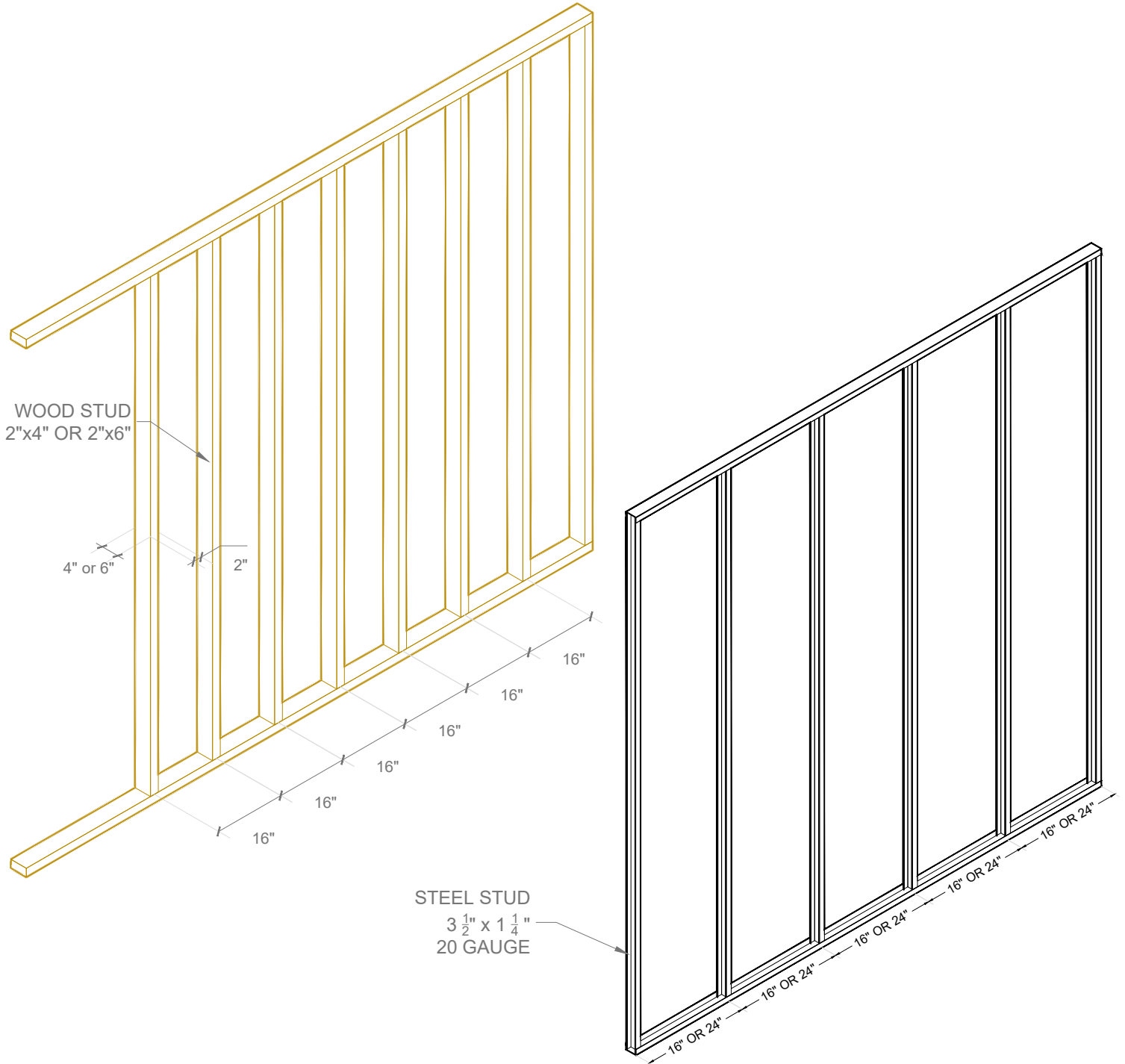
LITECON FIREWALL PANEL DIMENSIONS



NOTES

- 1.- LENGTH CAN BE ADJUSTED TO DESIGNS NEEDS (EVERY 0.2 INCHES) UP TO 120"

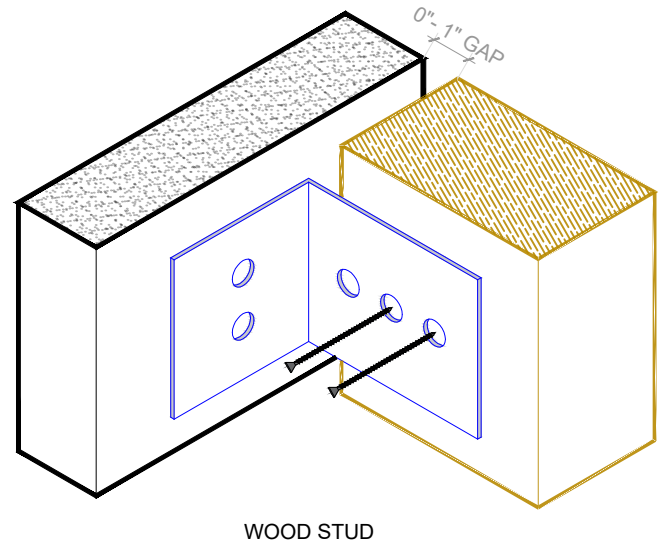
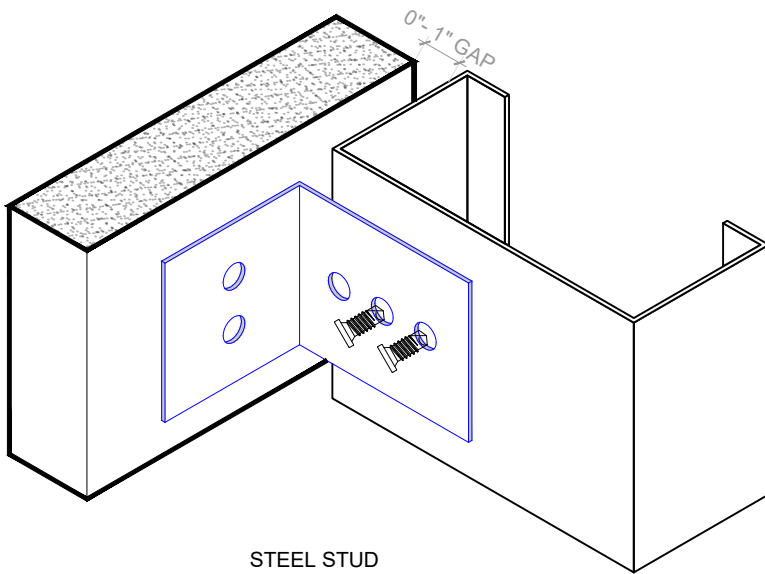
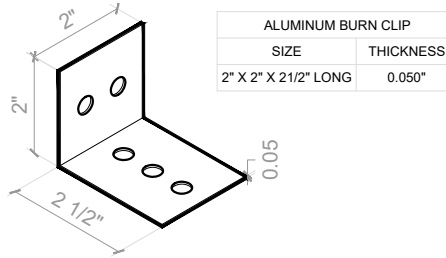
TYPICAL STUD FRAMES



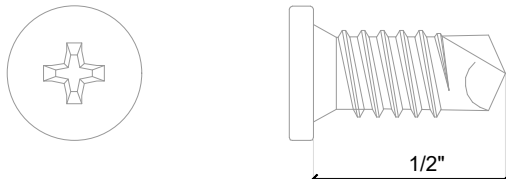
NOTES

- 1.- THE NOMINAL SIZE OF FRAMING STUD IS 2" X 4", THE ACTUAL MEASURE IS 1 1/2" X 3 1/2"
- 2.- THE NOMINAL SIZE OF FRAMING STUD IS 2" X 6", THE ACTUAL MEASURE IS 1 1/2" X 5 1/2"
- 3.- METAL STUDS SHOULD BE PER DESIGN SPECIFICATIONS. NO MORE THAN 24" O.C.
(PLEASE CONTACT LITECON TECHNICAL DEPARTMENT AND CONSULT YOUR DESIGN PROFESSIONAL).
- 4.- WOOD STUDS SHOULD BE PER DESIGN SPECIFICATIONS. NO MORE THAN 16" O.C.
(PLEASE CONTACT LITECON TECHNICAL DEPARTMENT AND CONSULT YOUR DESIGN PROFESSIONAL).

ALUMINUM BURN CLIP INSTALLATION

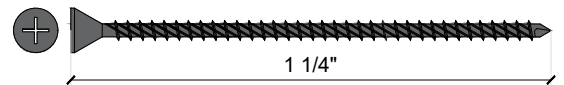


SELF-DRILLING SCREW #8 X 1/2"



FASTENER FOR SEEL STUD

#6X1-1/4" COARSE DRYWALL SCREW-PHOSPHATE COATED-SHARP POINT

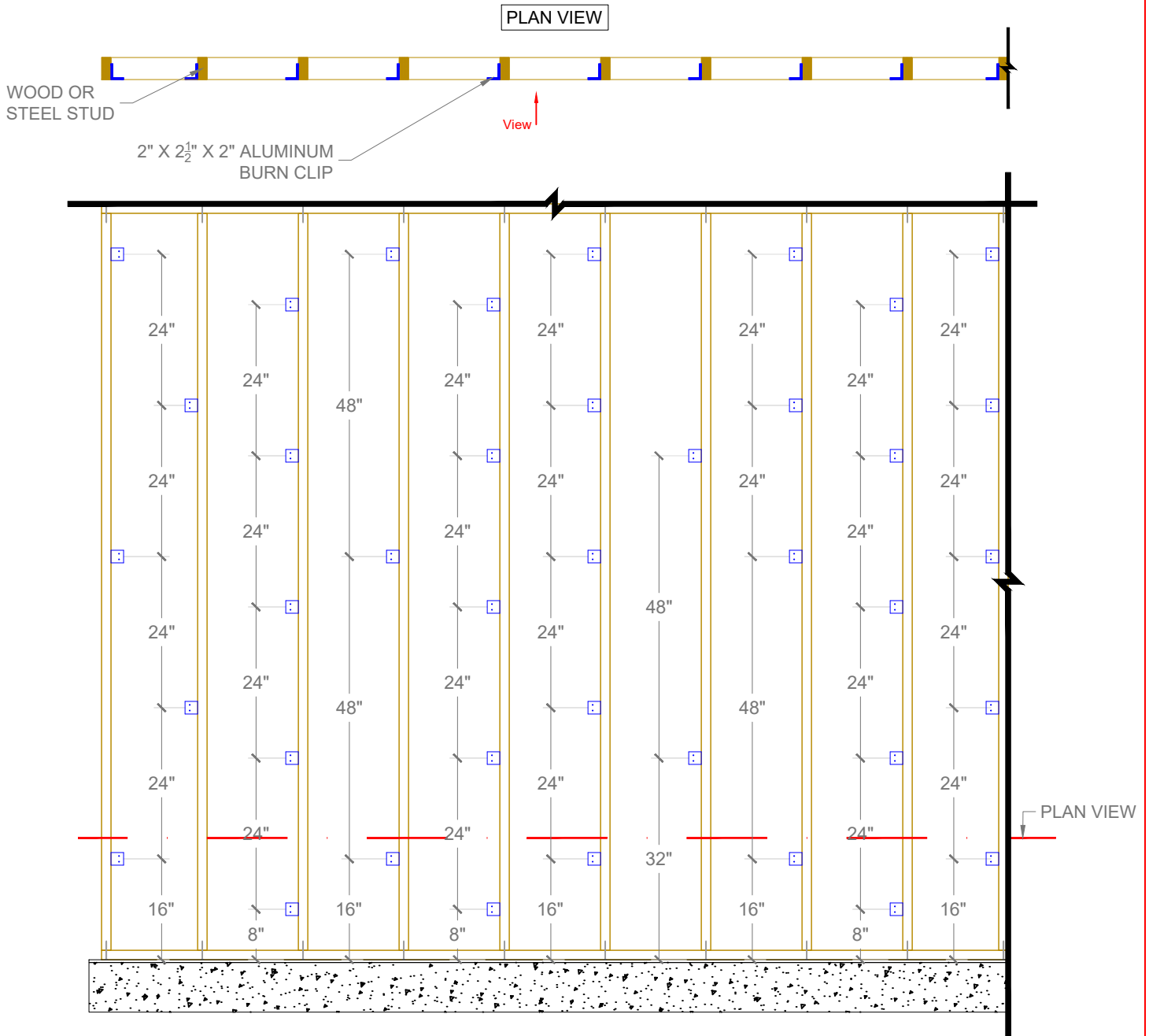


FASTENER FOR WOOD STUD

NOTES

1. THE LONGER SIDE OF THE CLIP MUST BE PLACED ONTO THE STUD.
2. 3 SCREW PER STUD

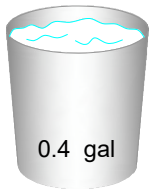
ALUMINUM BURN CLIP DISTRIBUTION



NOTES

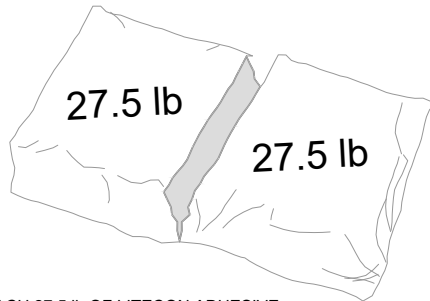
1. THE INSTALLATION OF CLIPS ON OPPOSITE SIDE SHOULD BE PLACED IN REVERSE ORDER TO AVOID MEETING ANOTHER SCREW FROM THE OPPOSITE SIDE OF THE WALL
2. ALUMINIUM BURN CLIPS SPACED MAX 16 IN. FROM HORIZONTAL JOINTS AND 2 FT OC VERTICALLY PER PANEL.
3. CONTINUE WITH THE DISTANCE AND SEQUENCE OF THE CLIPS.

LITECON ADHESIVE APPLICATION



0.4 gal

+



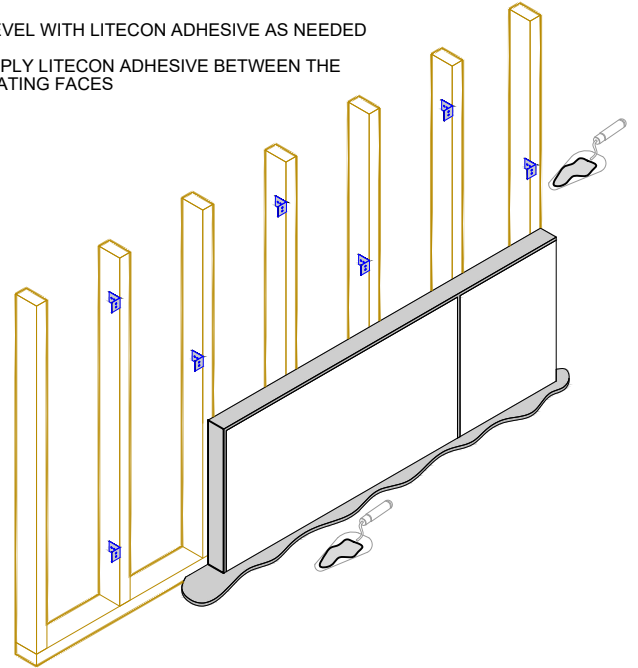
27.5 lb

27.5 lb

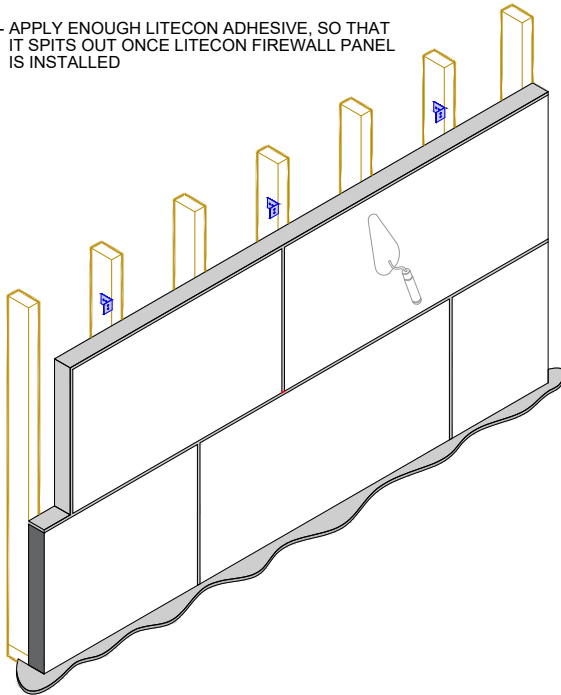
MIX 0.4 gal OF WATER FOR EACH 27.5 lb OF LITECON ADHESIVE. MIX TO OBTAIN A UNIFORM WORKABLE CONSISTENCY WITH NO CLUMPS. LET REST FOR 5 MINUTES, MIX AGAIN AND APPLY

1.- LEVEL WITH LITECON ADHESIVE AS NEEDED

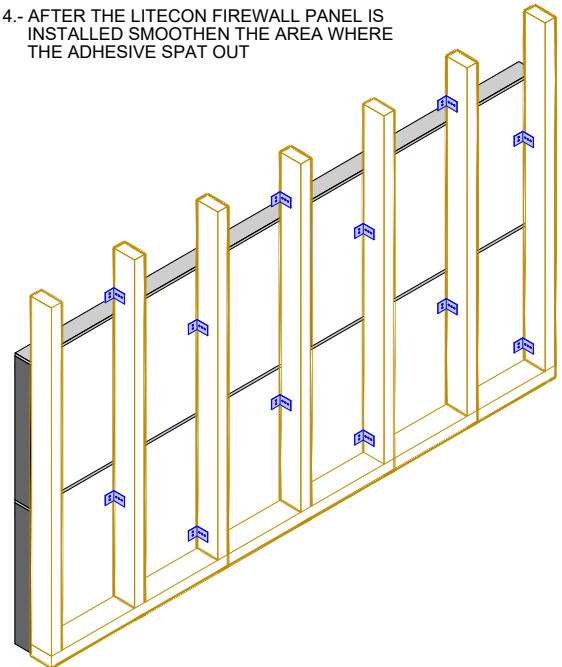
2.-APPLY LITECON ADHESIVE BETWEEN THE MATING FACES



3.- APPLY ENOUGH LITECON ADHESIVE, SO THAT IT SPITS OUT ONCE LITECON FIREWALL PANEL IS INSTALLED



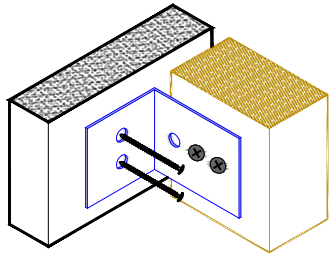
4.- AFTER THE LITECON FIREWALL PANEL IS INSTALLED SMOOTHEN THE AREA WHERE THE ADHESIVE SPAT OUT



NOTES

- 1.- ALLOW LITECON ADHESIVE TO DRY FOR A MINIMUM OF 24 HOURS PRIOR TO APPLYING ANY LOAD
- 2.- ONE PACKAGE OF LITECON ADHESIVE WEIGHES 55 LB

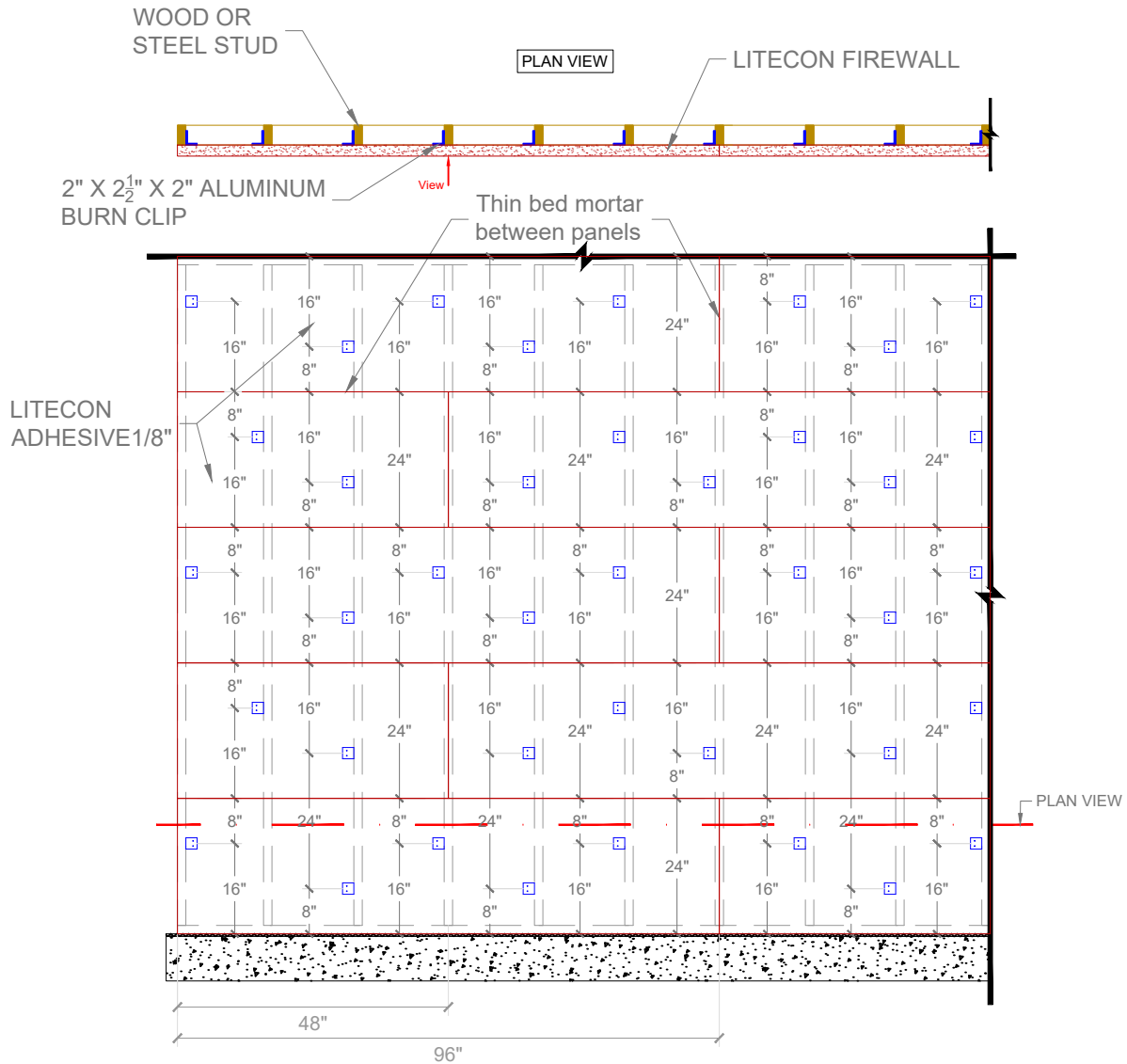
LITECON FIREWALL PANEL INSTALLATION



**#8X1 1/2" SHARP POINT TYPE SCREW
MODIFIED TRUSS, WAFER HEAD.**



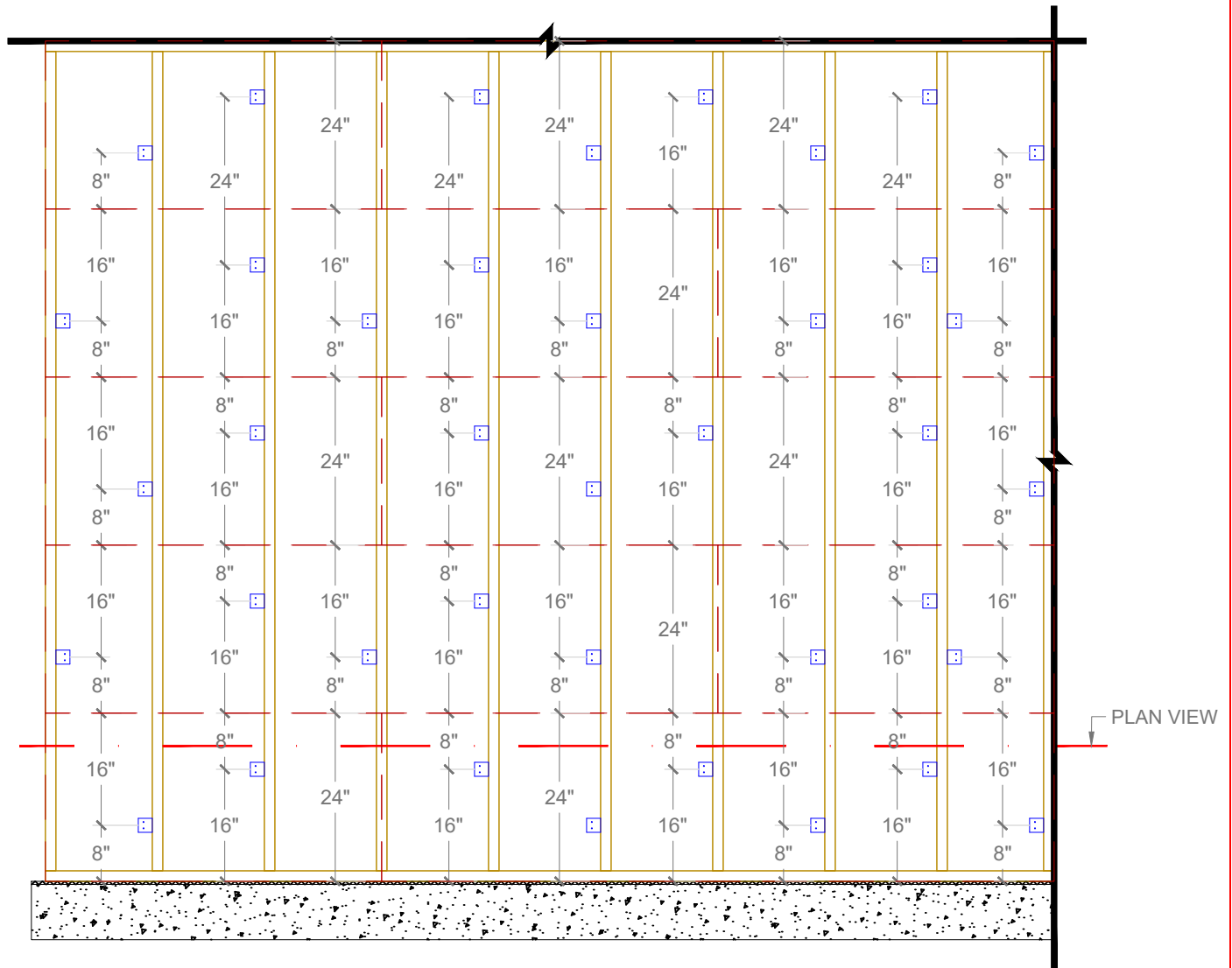
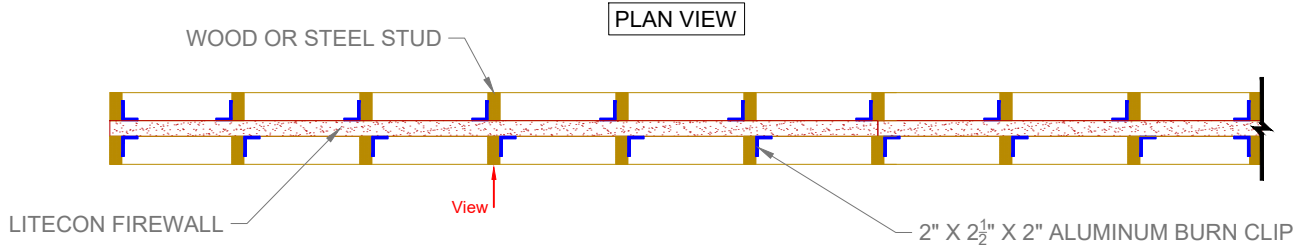
FASTENER FOR LITECON FIREWALL PANEL



NOTES

1. INSTALL THE ALUMINUM BURN CLIP TO PANEL WITH A #8X1 1/2" SHARP POINT TYPE SCREW MODIFIED TRUSS, WAFER HEAD.
2. ALUMINUM BURN CLIPS SPACED MAX 16 IN. FROM HORIZONTAL JOINTS AND 24 IN OC VERTICALLY PER PANEL.

ALUMINUM BURN CLIP DISTRIBUTION OPPOSITE SIDE

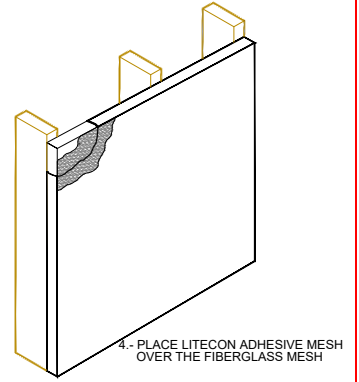
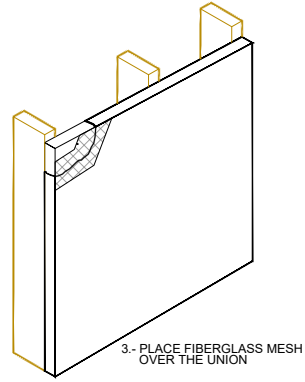
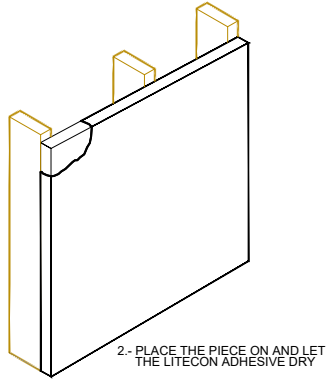
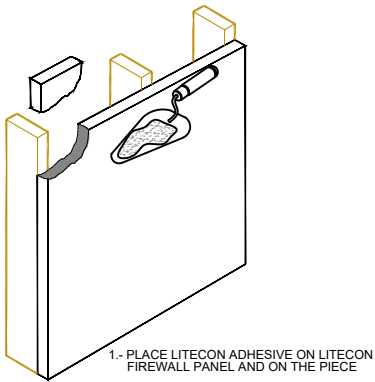


NOTES

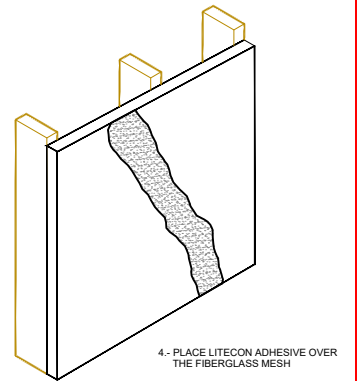
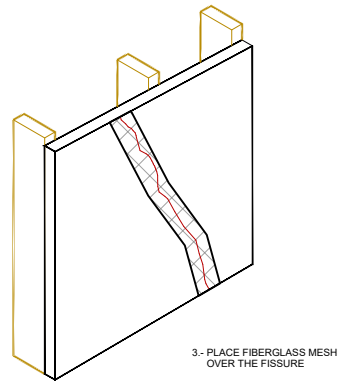
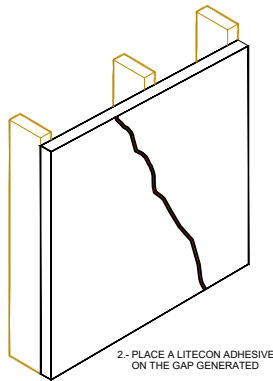
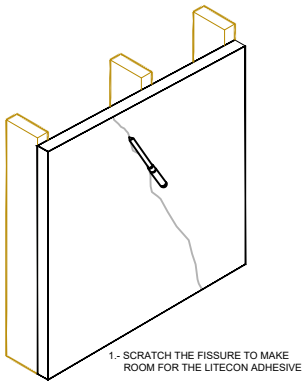
1. **THIS IS OF GREAT IMPORTANCE:** DO NOT PLACE THE CLIPS AT THE SAME HEIGHT ON THE FRONT AND BACK SIDE
2. INSTALL THE ALUMINUM BURN CLIP TO PANEL WITH A #8X1 1/2" SHARP POINT TYPE SCREW MODIFIED TRUSS, WAFFER HEAD.
3. MAX. 4 IN. AIRSPACE BETWEEN EDGE OF STUD AND PANEL.

CRACKS AND FISSURE REPAIRING

CRACKS REPAIRING



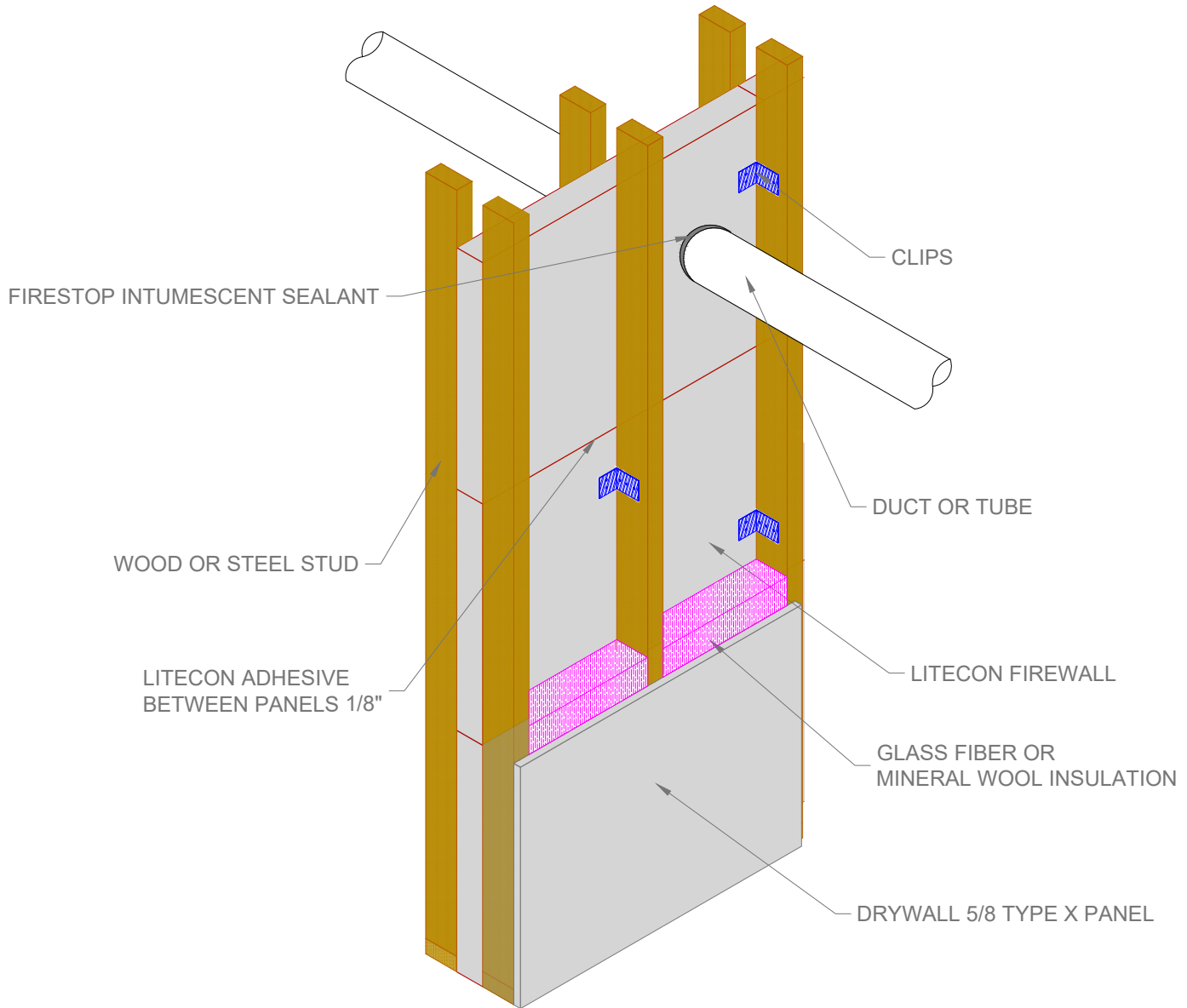
FISSURE REPAIRING



NOTES

1. YOU MUST BE SURE TO FILL THE FISSURE WITH ENOUGH LITECON ADHESIVE ON THE GAP

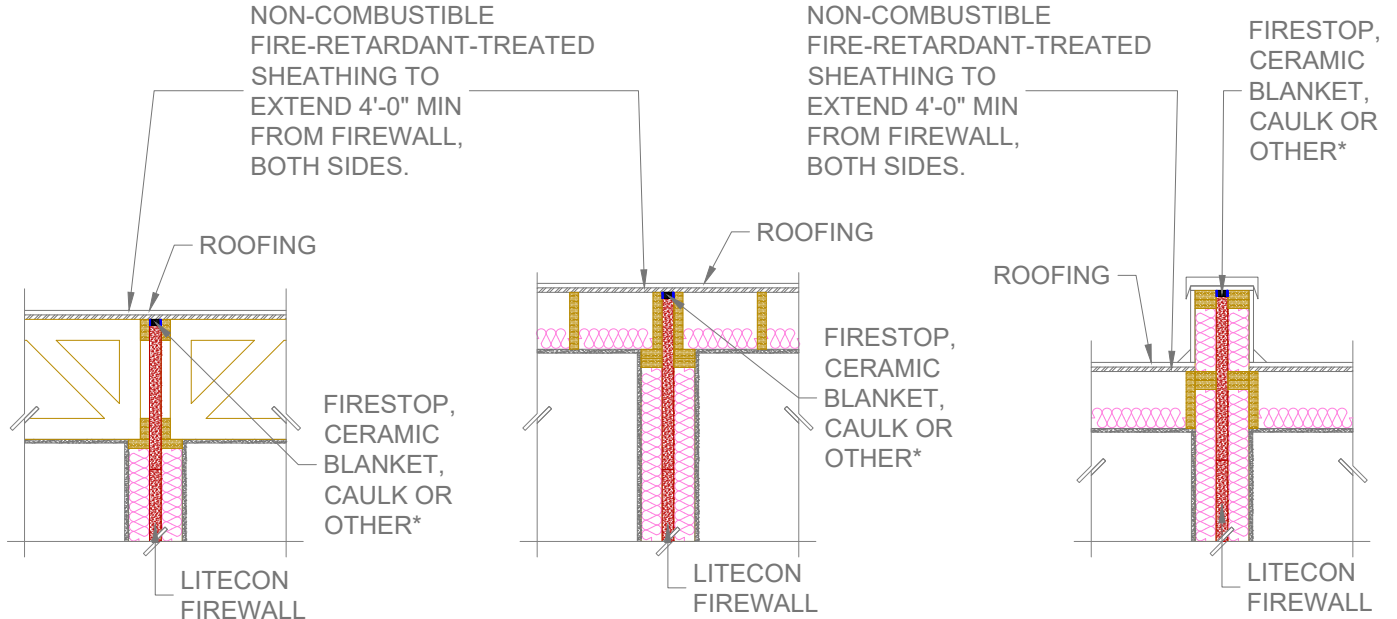
PENETRATION DETAIL



NOTES

1. SEE PRODUCT DETAIL: HILTI FS-ONE MAX FIRESTOP INTUMESCENT SEALANT.

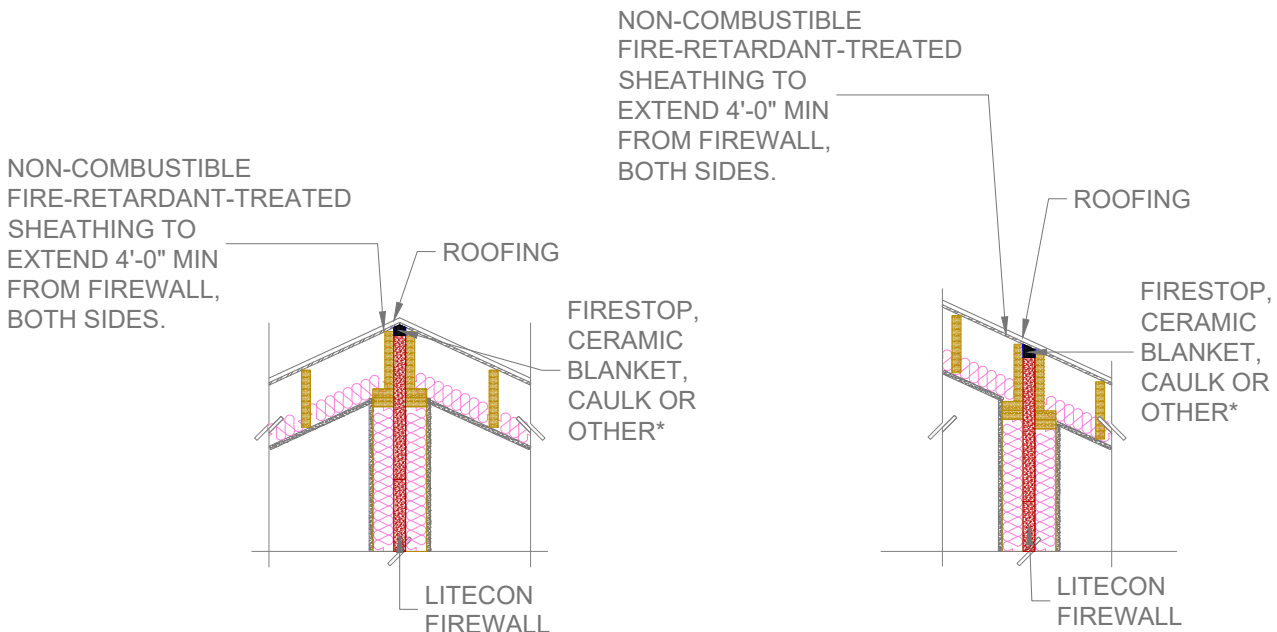
TYPICAL AAC ROOF/ PARAPET JOINTS



FLAT ROOF TRUSSES

FLAT ROOF JOISTS

PARAPET

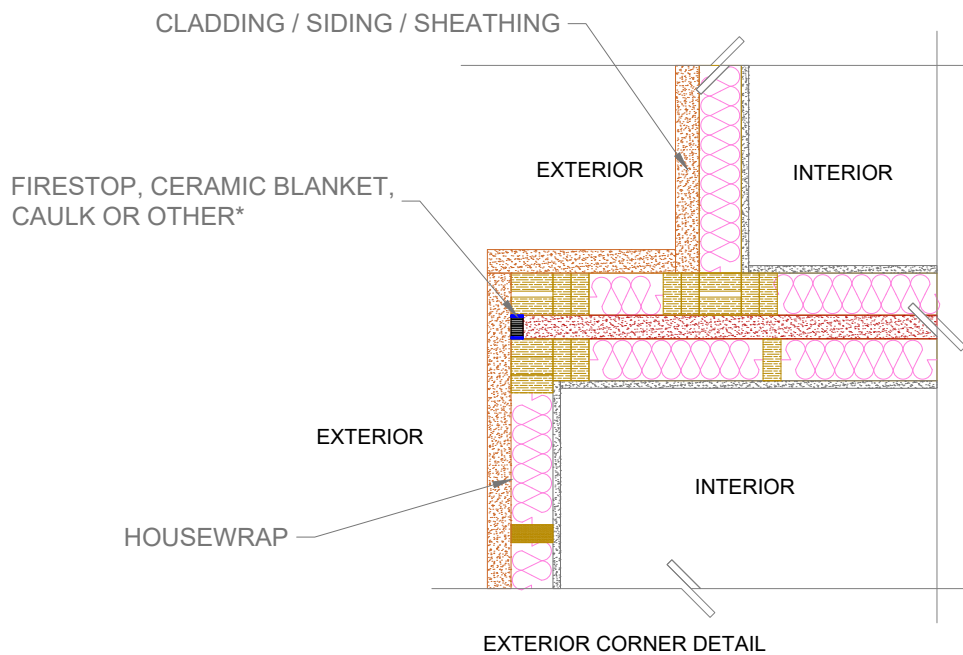
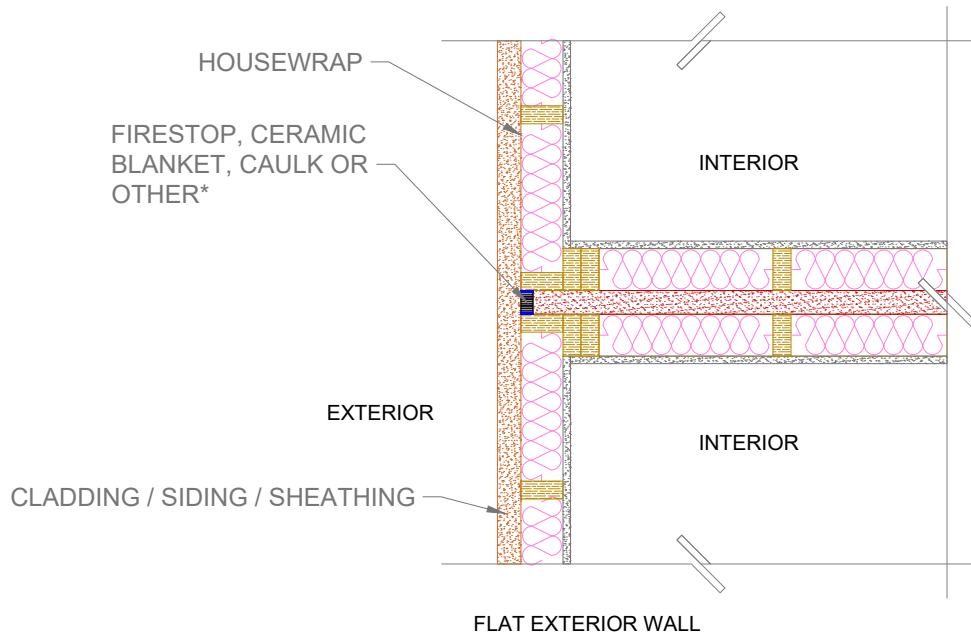


GABLE ROOF

NOTES

- 1.- *UL LISTED/APPROVED FIRE-RESISTANT JOINT SYSTEM DESIGNED TO RESIST THE PASSAGE OF FIRE FOR A TIME PERIOD NOT LESS THAN THE REQUIRED FIRE-RESISTANCE RATING OF THE WALL.

TYPICAL EXTERIOR WALL JOINTS



NOTES

- 1.- *UL LISTED/APPROVED FIRE-RESISTANT JOINT SYSTEM DESIGNED TO RESIST THE PASSAGE OF FIRE FOR A TIME PERIOD NOT LESS THAN THE REQUIRED FIRE-RESISTANCE RATING OF THE WALL.

FAQS

BEFORE LITECON FIREWALL PANEL INSTALLATION

- Q. WHAT DO I NEED TO CHECK BEFORE I START?
- R. HAVE ALL THE NECESSARY MATERIALS AND TOOLS HAVE A CUTTING AREA
- Q. HOW DO I PREPARE THE LITECON ADHESIVE?
- A. IN A 5 GALLON BUCKET PUT 2 INCHES OF CLEAN WATER, POUR HALF OF A BAG OF LITECON ADHESIVE AND STIR UNTIL THERE ARE NO LUMPS, LET IT REST FOR 5 MINUTES AND GIVE A LAST STIR
- Q. HOW MUCH LITECON ADHESIVE SHOULD I PREPARE?
- A. IT IS RECOMMENDED TO PREPARE HALF A BAG SO IT DOESN'T DRY OUT(PREPARED ADHESIVE LASTS 30 MINUTES)

LITECON FIREWALL PANEL INSTALLATION

- Q. HOW CAN I LEVEL THE FIRST ROW?
- A. YOU CAN LEVEL WITH LITECON ADHESIVE



LITECON FIREWALL 2", 3" OR 4"

INSTALLATION GUIDE FOR FIREWALL

April 2025