



LITECON FENCE PANEL 2" & 3"

INSTALLATION GUIDE

May 2026

INDEX

INDEX	I
BEFORE STARTING	01
LITECON FENCE PANEL DIMENSIONS	02
STEEL AND WOOD FENCE POST	03
INSTALLATION ON STEEL POST	04
INSTALLATION OF THE CONNECTOR AND POST LIDS	05
INSTALLATION OF THE SECOND POST LIDS	06
INSTALLATIONS OF THE TOP LIDS	07
INSTALLATION ON WOOD POST	08
SCREW DISTRIBUTION - WOOD POST	09
INSTALLATIONS OF THE TOP LIDS	10
DETAIL OF A FENCE ON A SLOPE	11

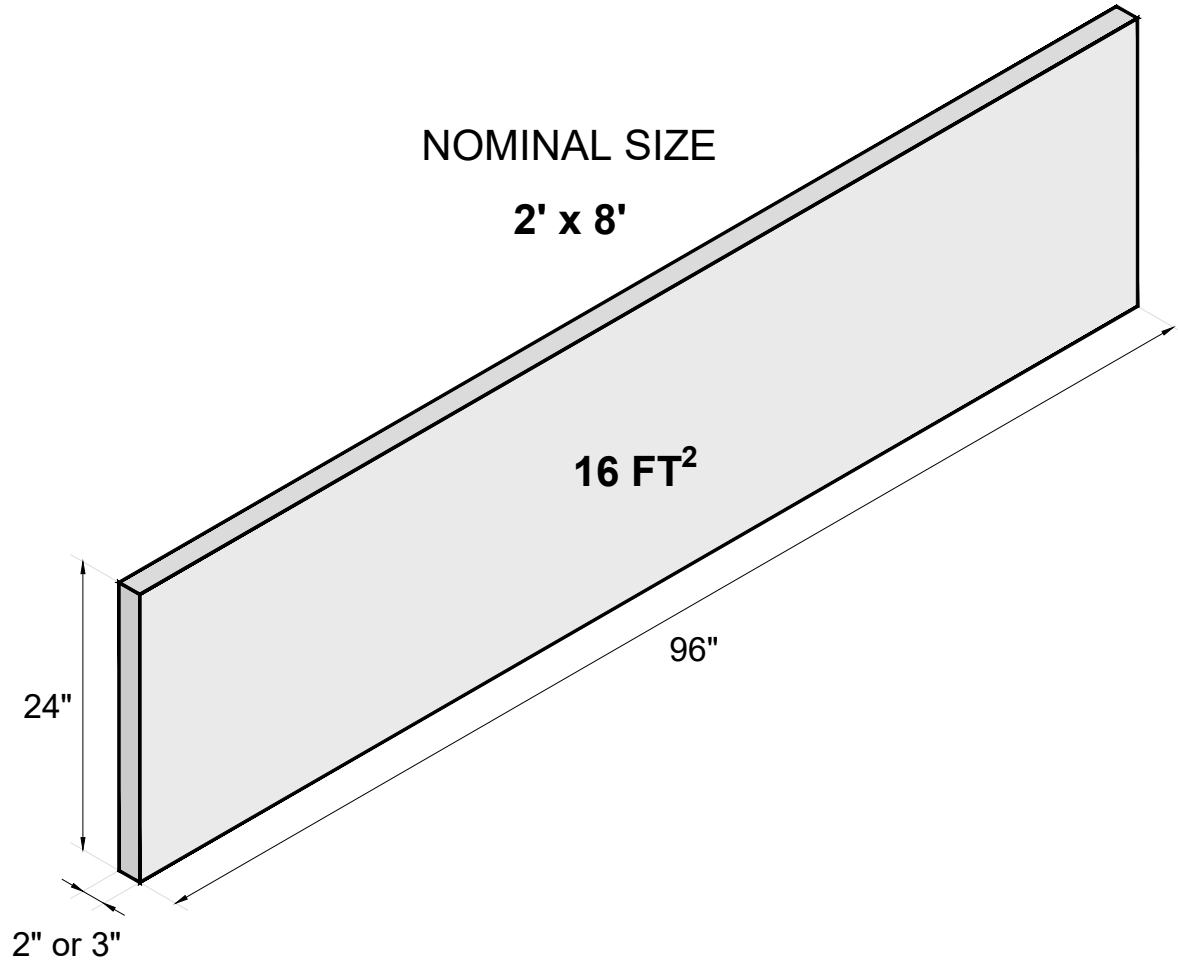
VERSION:
May 2026

PRODUCT:
LITECON FENCE PANEL 2" AND 3"

BEFORE STARTING

-
- 1.- LITECON FENCE
 - 2.- LITECON ADHESIVE
 - 3.- FASTENERS: DEPEND ON THE STUD (WOOD OR STEEL) AND THE LITECON CLADDING THICKNESS. IN BOTH CASES THE FASTENER SHOULD HAVE A COATING THAT PROVIDES CORROSION
 - 4.- WOOD OR STEEL POST
 - 5.- ELECTRIC POWER 110/220V
 - 6.- A EMPTY BUCKET
 - 7.- GROUT MIXING PADDLE
 - 8.- ELECTRIC DRILL
 - 9.- BATTERY SCREWDRIVER
 - 10.- HAMMER
 - 11.- RUBBER HAMMER
 - 12.- BUBBLE OR LASER KNIFE
 - 13.- JOINT KNIFE
 - 14.- CIRCULAR SAW
 - 15.- 7" DIAMOND TURBO BLADE
 - 16.- LIQUID NAIL
 - 17.- CONCRETE MIX
 - 18.- BRICK TILE
 19. SCREW FOR WOOD OR STEEL
-

LITECON FENCE PANEL DIMENSIONS



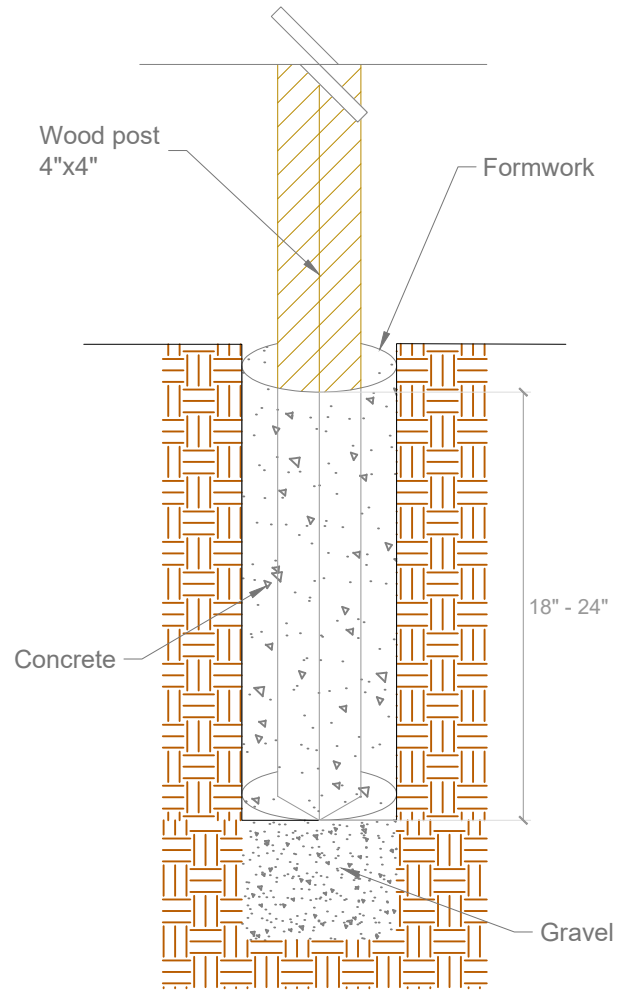
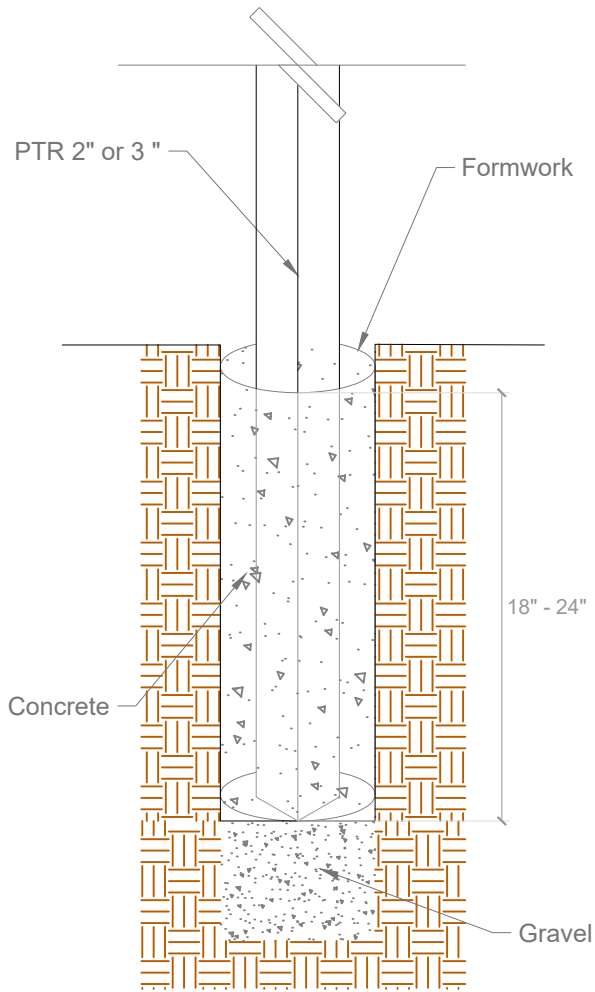
NOTES

1. LENGTH CAN BE ADJUSTED TO CUSTOMERS NEEDS (EVERY 0.2 INCHES) UP TO 120"
2. THE NOMINAL SIZE OF THE LITECON CLADDING IS 2' X 2' X 8', THE ACTUAL SIZE IS 1.97" X 23.62" X 96.06"
3. THE NOMINAL SIZE OF THE LITECON CLADDING IS 3" X 2' X 8', THE ACTUAL SIZE IS 2.95" X 23.62" X 96.06"

VERSION:
May 2026

PRODUCT:
LITECON FENCE PANEL 2" AND 3"

STEEL AND WOOD FENCE POST



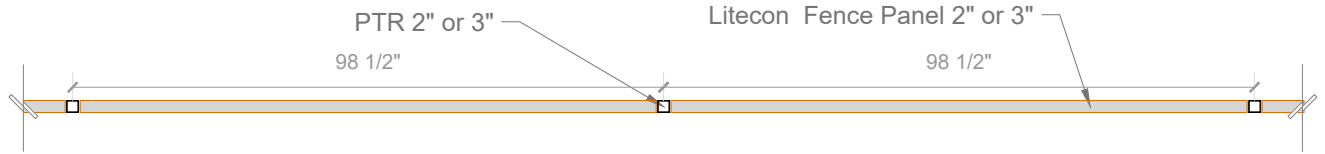
NOTES

1. HOLE DIAMETER SEE CONCRETE MIX SPECIFICATIONS.

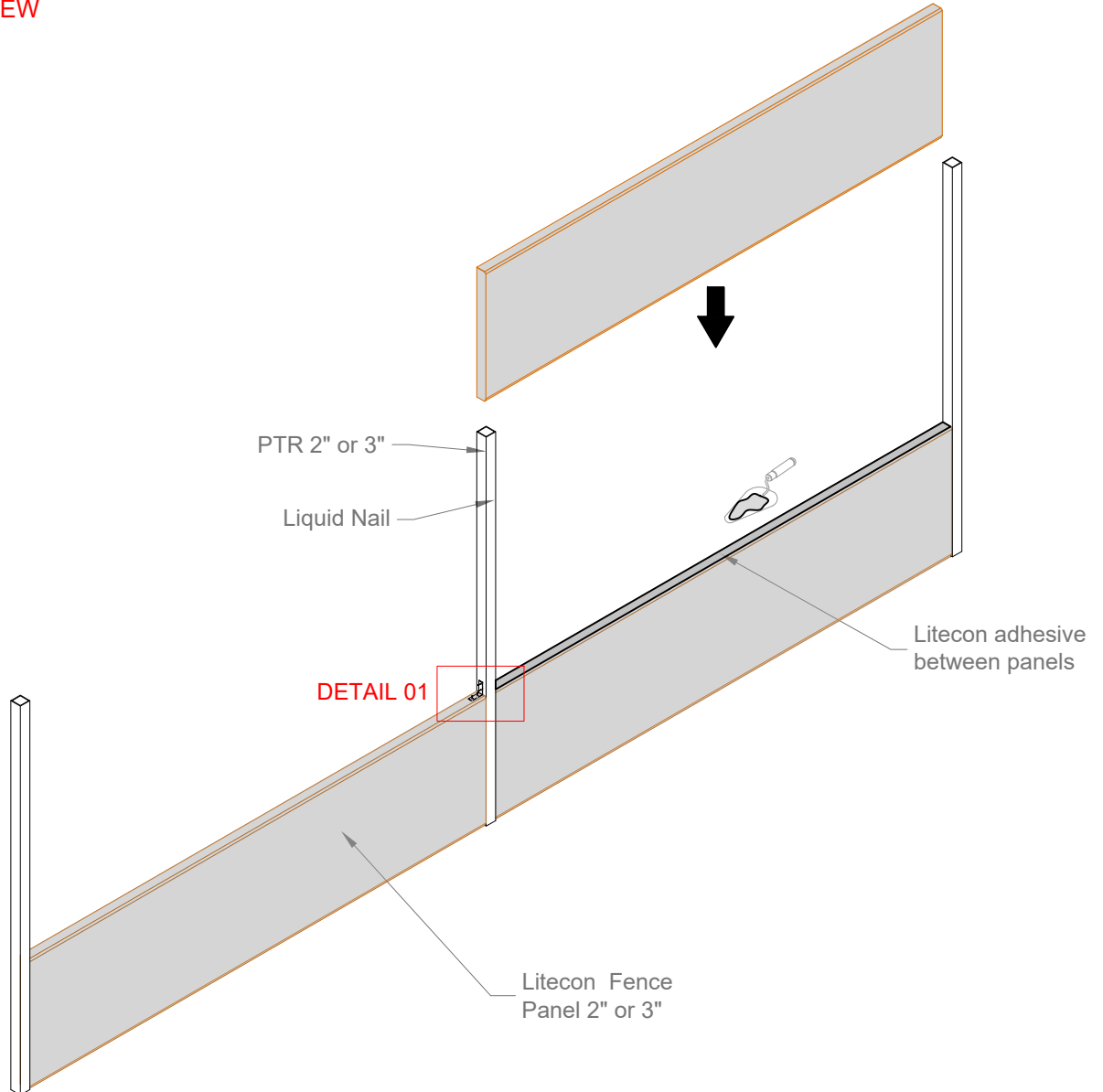
VERSION:
May 2026

PRODUCT:
LITECON FENCE PANEL 2" AND 3"

INSTALLATION ON STEEL POST



PLAN VIEW

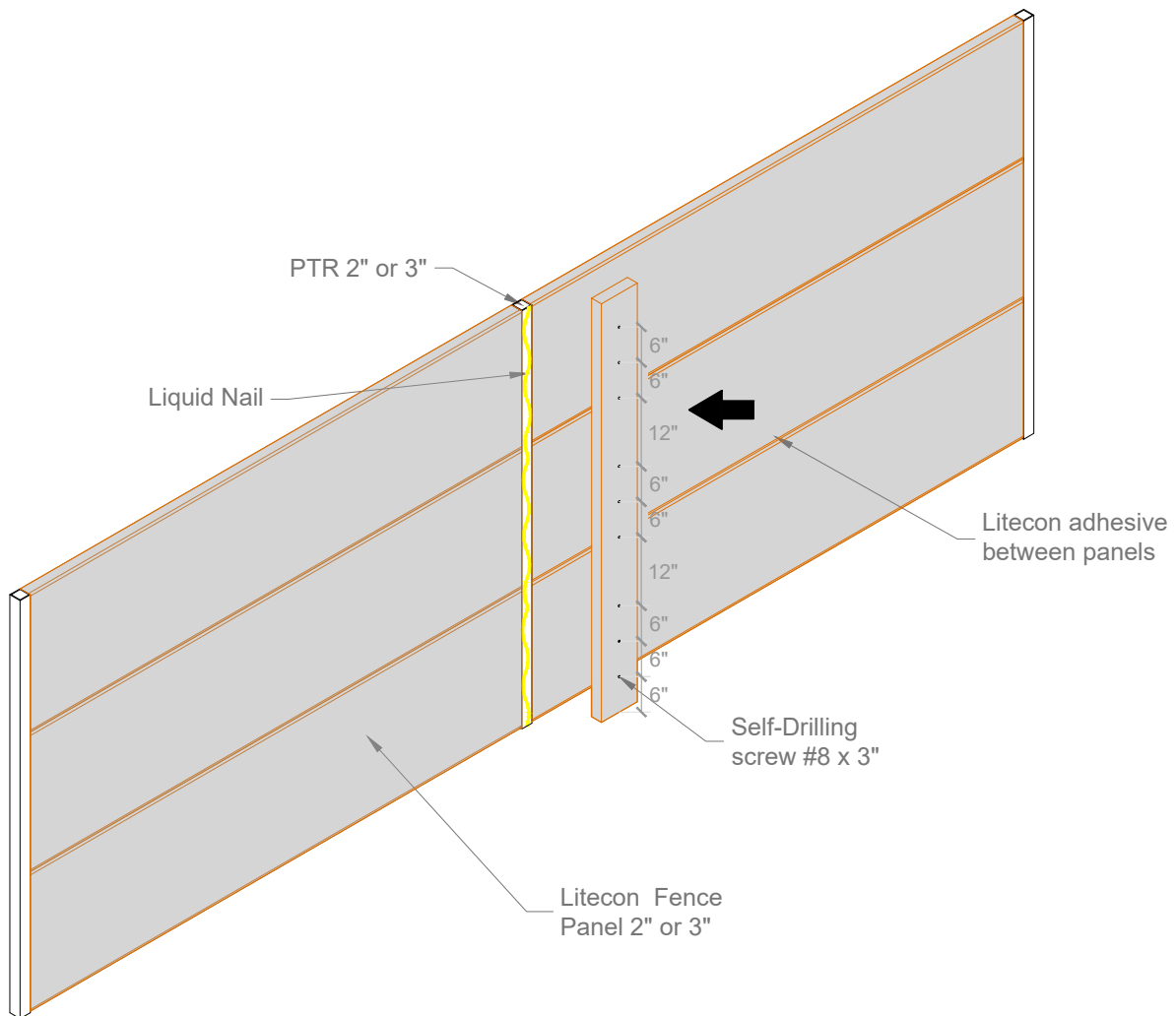
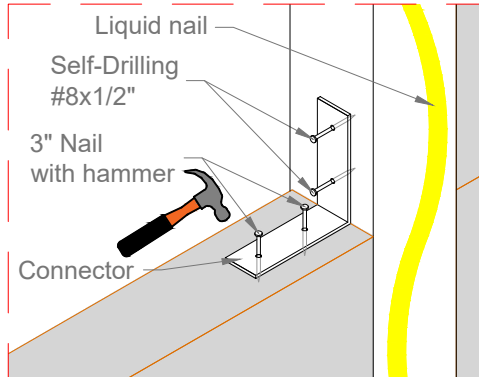


NOTES:

1. PLACE CONNECTORS ON ALL PANELS
2. SEPARATE THE PANEL 1/4" FROM THE PTR PANEL

INSTALLATION OF THE CONNECTOR AND POST LIDS

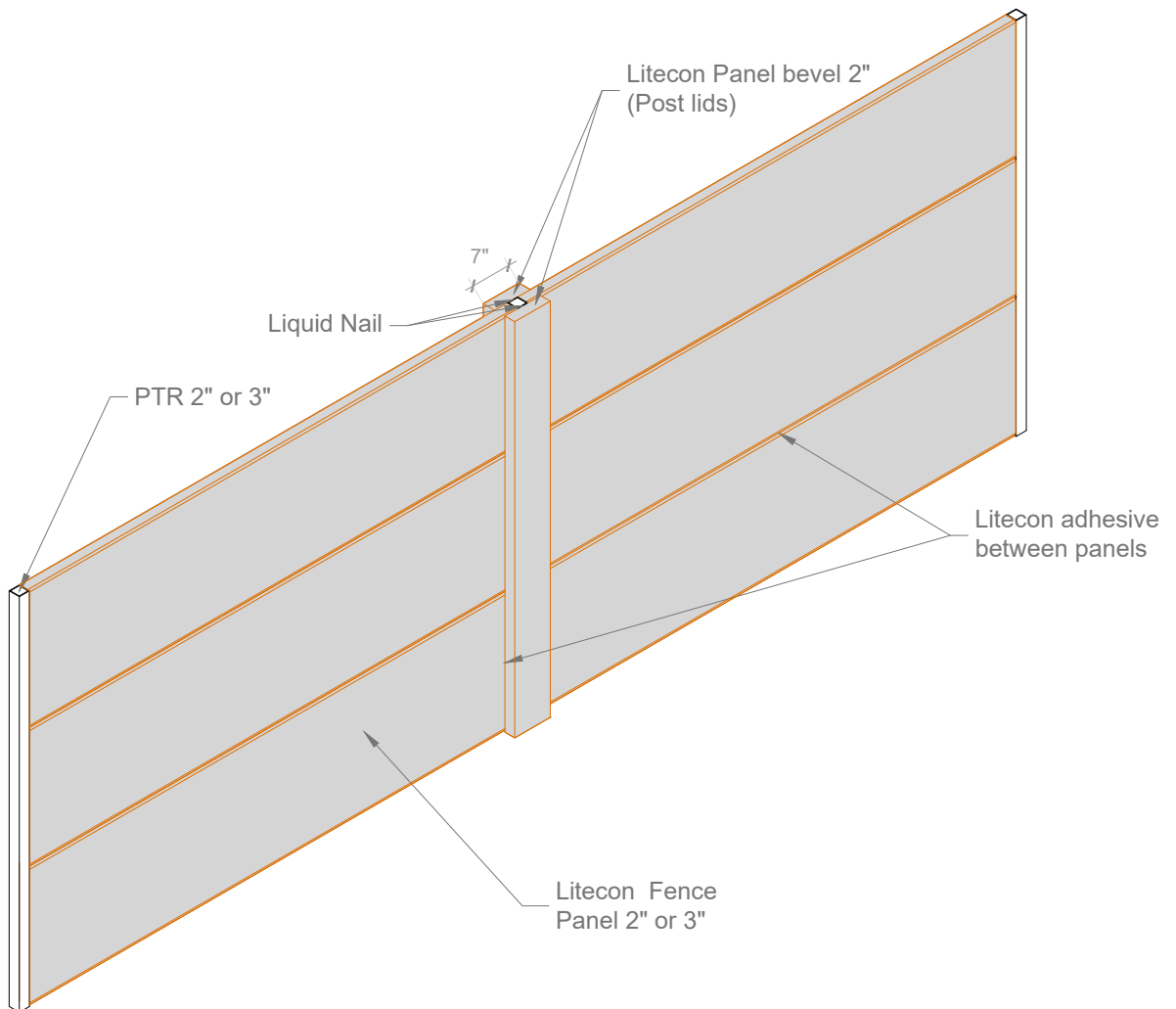
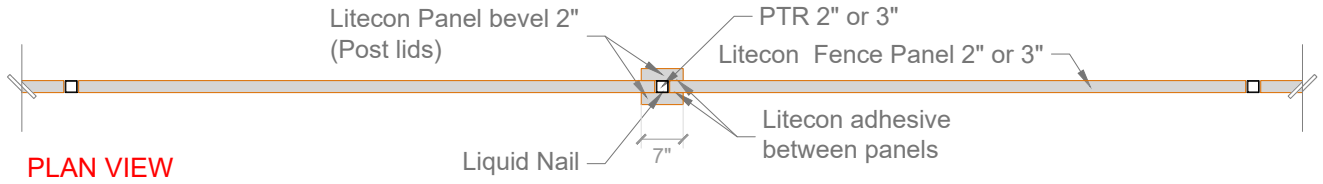
DETAIL 01



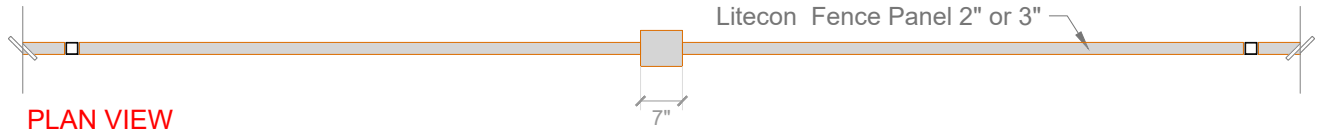
NOTES:

1. SCREW SHALL PENETRATE A MINIMUM OF 1" INTO THE POST
2. WHEN DRILLING THROUGH THE PANELS, MAKE SURE THE SCREW ENTERS THE POST.

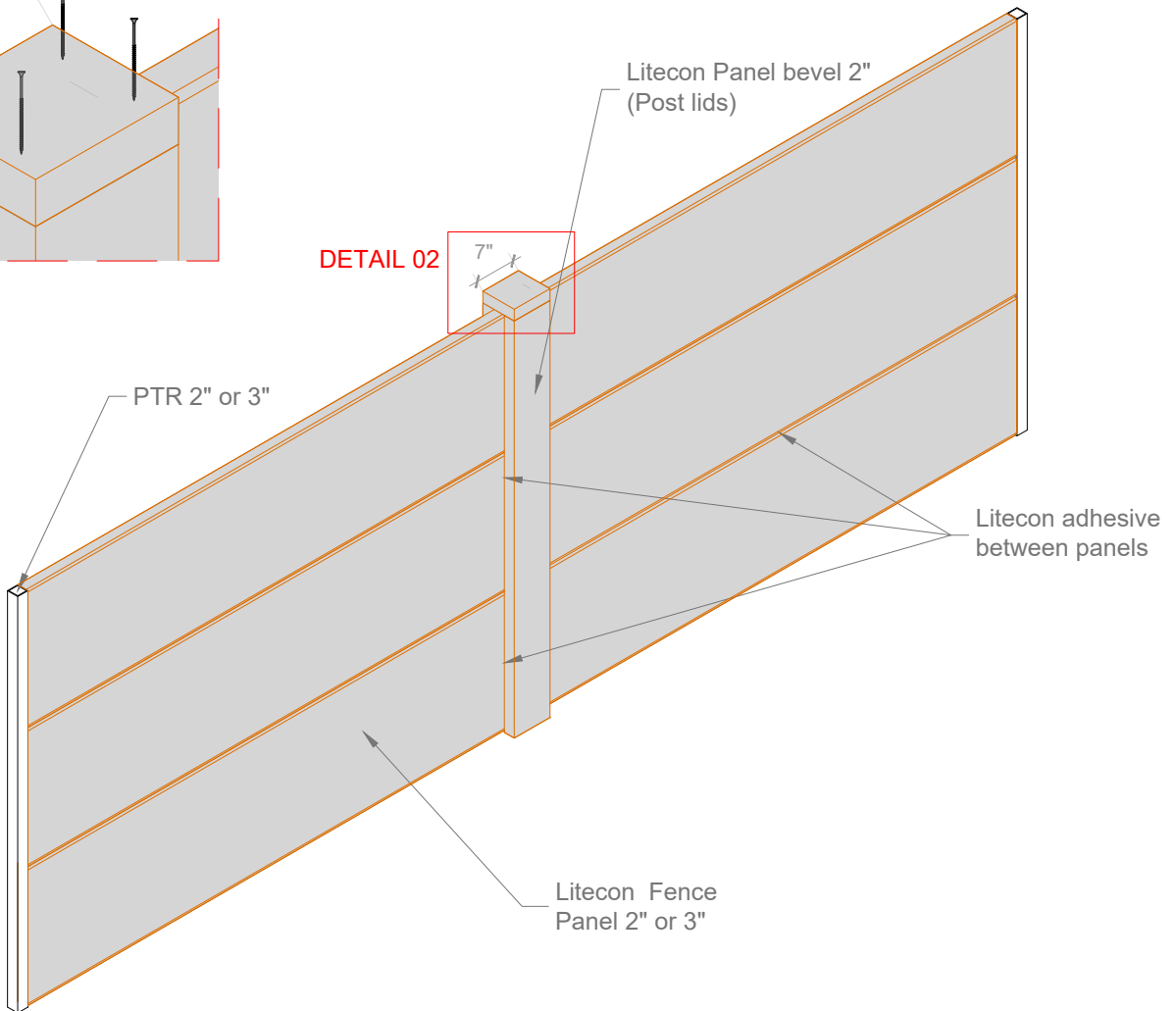
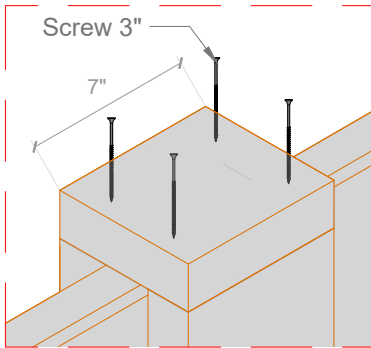
INSTALLATION OF THE SECOND POST LIDS



INSTALLATIONS OF THE TOP LIDS



DETAIL 02



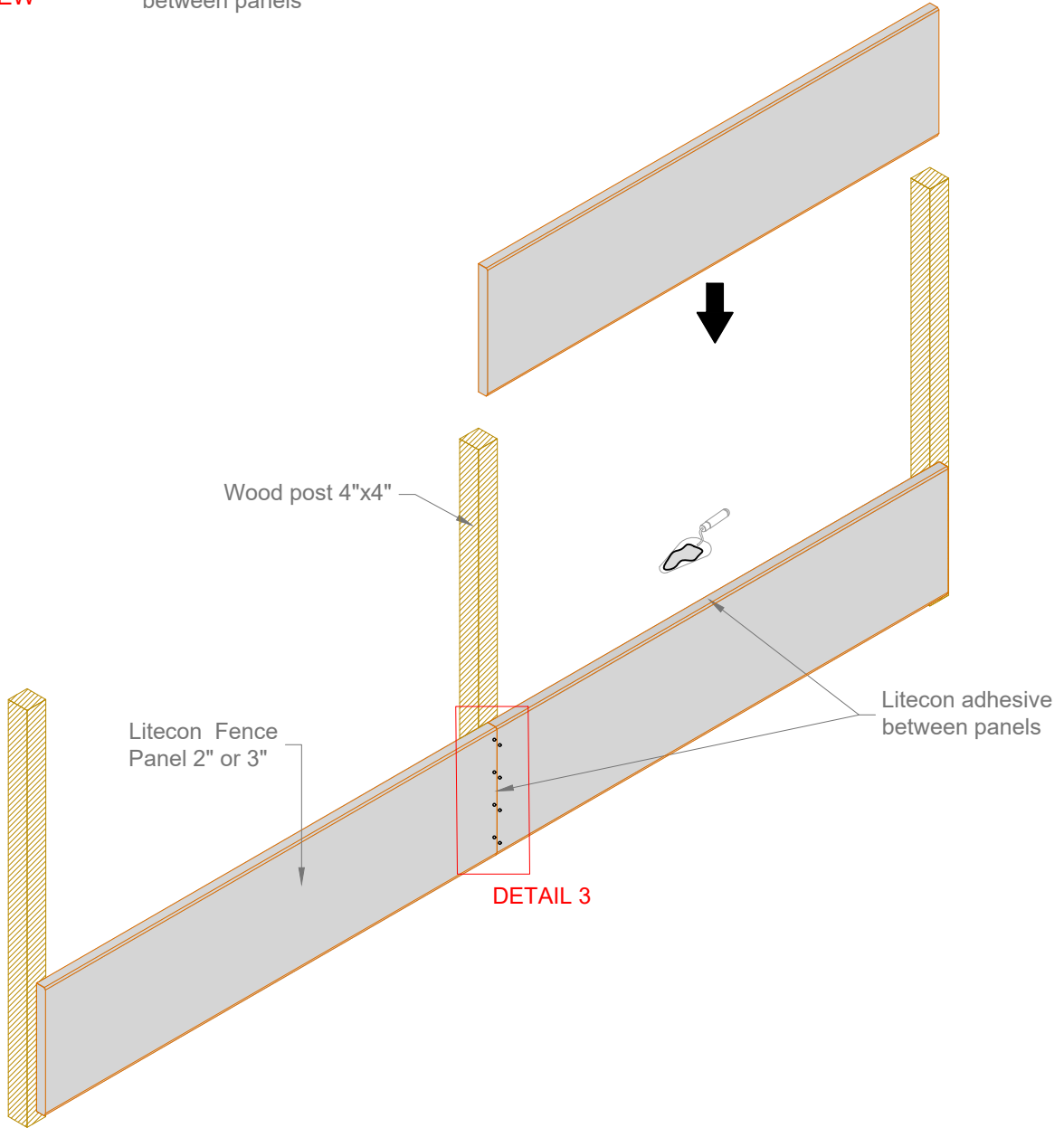
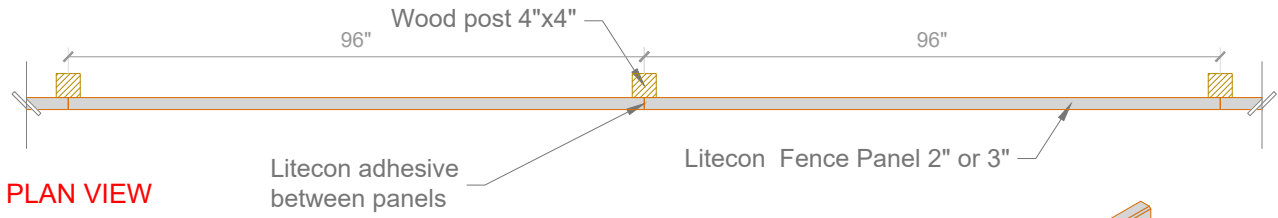
NOTES:

1. PAINT THE LITECON FENCE PANELS.
2. OPTIONAL PLACE SILICONE ON THE JOINTS.

VERSION:
May 2026

PRODUCT:
LITECON FENCE PANEL 2" AND 3"

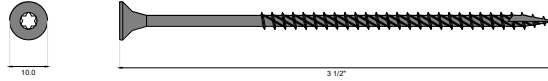
INSTALLATION ON WOOD POST



SCREW DISTRIBUTION - WOOD POST

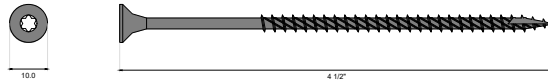
SCREW FOR WOOD STUD 2" CLADDING

#10 X 3 1/2" SELF DRILLING

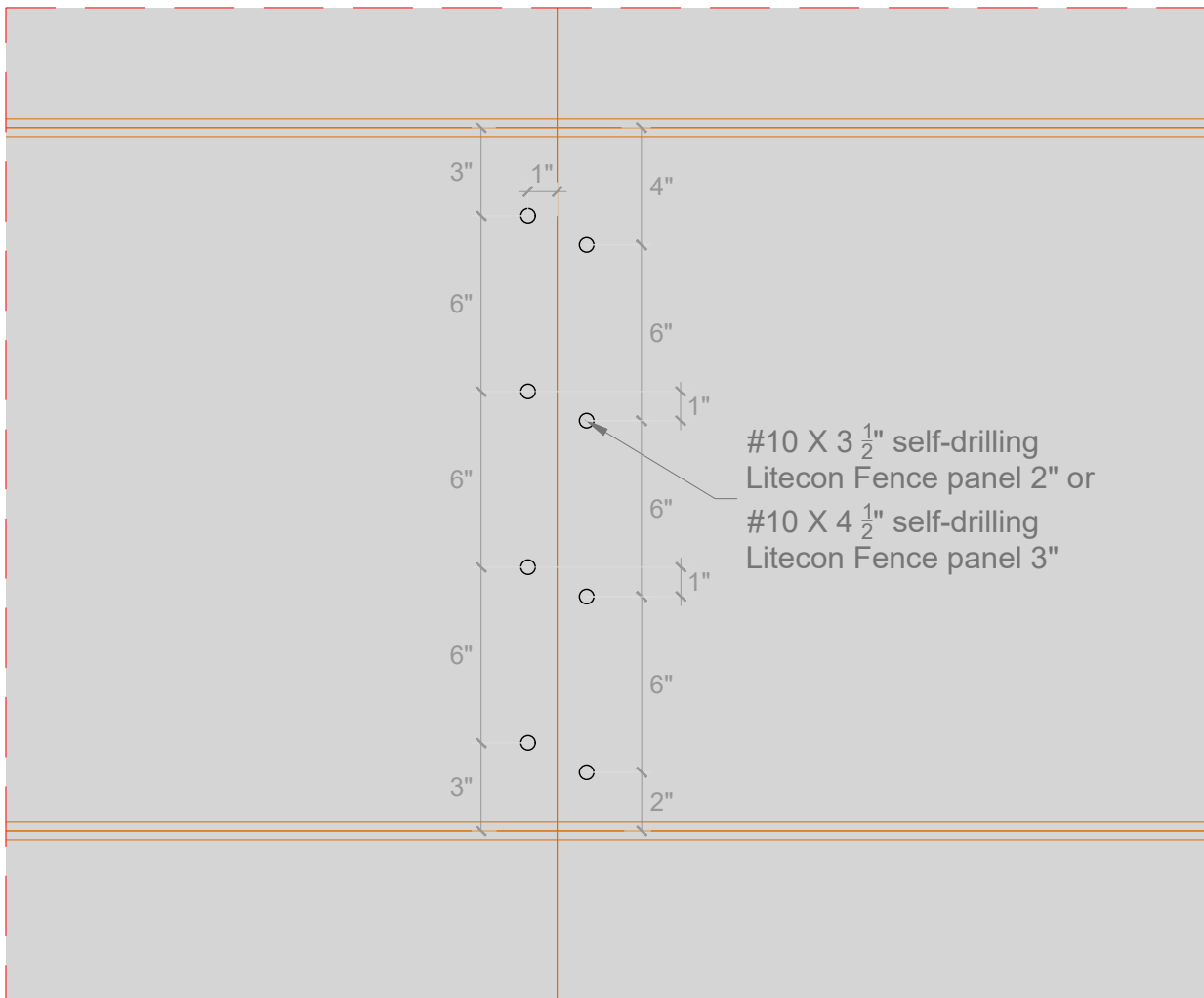


SCREW FOR WOOD STUD 3" CLADDING

#10 X 4 1/2" SELF DRILLING



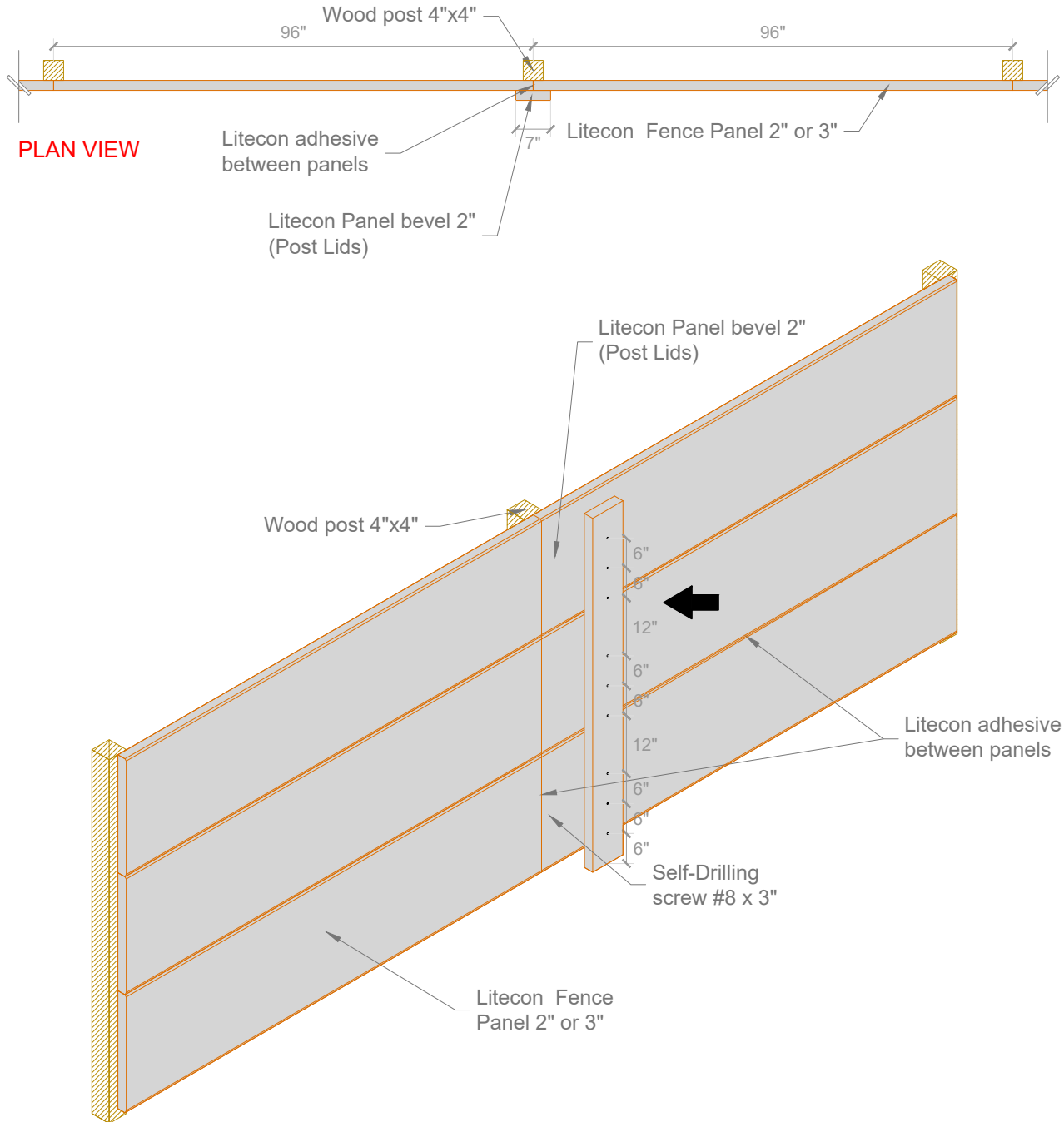
DETAIL 03



NOTES

1. SCREW SHALL PENETRATE A MINIMUM OF 1 1/2" INTO THE POST.
2. WHEN DRILLING THROUGH THE PANELS, MAKE SURE THE SCREW ENTERS THE POST.

INSTALLATION POST LIDS



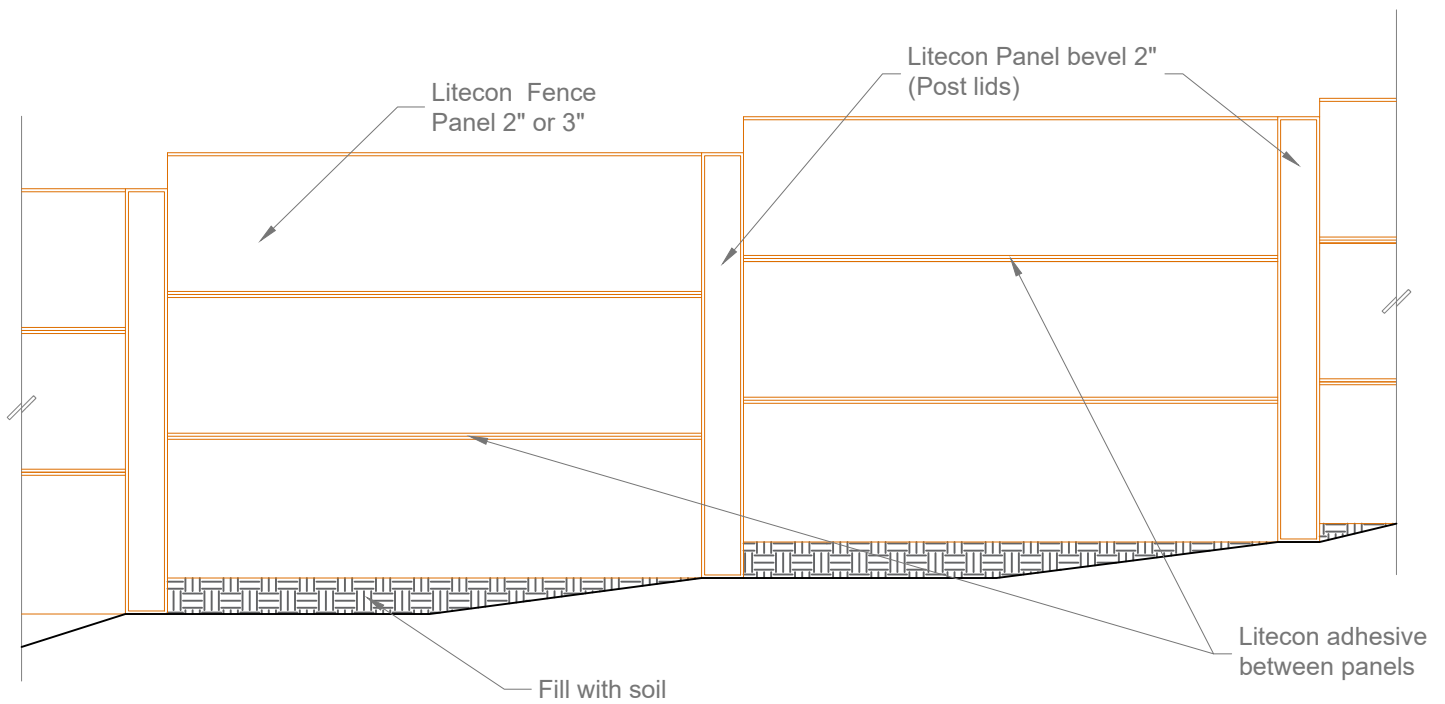
NOTES:

1. PAINT THE LITECON FENCE PANELS.
2. OPTIONAL PLACE SILICONE ON THE JOINTS.

VERSION:
May 2026

PRODUCT:
LITECON FENCE PANEL 2" AND 3"

DETAIL OF A FENCE ON A SLOPE





LITECON FENCE PANEL 2" & 3"

INSTALLATION GUIDE

May 2026