

LITECON CLADDING IS A RESIDENTIAL AND COMMERCIAL PANEL FOR EXTERIOR WALLS.

It's a **light prefabricated concrete panel**, with a 1/8" steel mesh inside and a super **smooth exterior finish**. Such panels are installed applying adhesive mortar between mating faces and fasteners to attach the panels to a standard wood or steel frame.

ICC-ES Evaluation Report ESR-5025

LEED EVALUATION



SPECS

PARAMETERS	UNITS	VALUES AAC-4
Compressive Strength	psi	590
Real Density	lb/ft ³	33.4
Elastic Modulus	ksi	326.9
Nominal Density	lb/ft ³	30.4
Dry Shrinkage	%	0.0015
Thermal Conductivity	BTU in/h ft ² °F	0.839
R Value per Inch	h ft ² °F/BTU	1.2
Permeability (μ)	US Perms	6.58
Moisture Adsorption	Wt%	7.61

TESTS

PARAMETERS	RESULTS
Air infiltration (TAS) 202-95 & ASTM E330/E330M-14	0.3 L/s/m ²
Water intrusion (TAS) 202-95 & ASTM E330/E330M-14	No leakage
Uniform load structural (TAS) 202-95 & ASTM E330/E330M-14	±50 psf
Shear wall resistance ASTM E564-06 (2018)	475 lb plf
Fire Resistance (Load-Bearing) ASTM E-119	2 hr
Acoustic Testing ASTM E90, ASTM E2235, ASTM E413 ASTM E1332	49 STC
Acoustic Testing ASTM E90, ASTM E2235, ASTM E413 ASTM E1332	47 STC

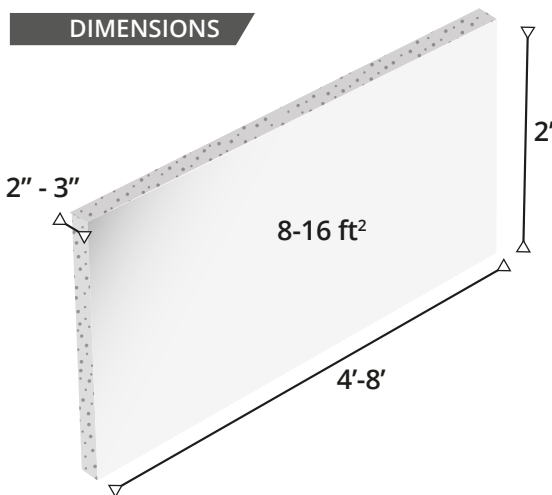
WORKFORCE

Mason and assistant

PERFORMANCE

1,000 ft² /workday

DIMENSIONS



MEASUREMENTS

THICKNESS (in)	HEIGHT (in)	LENGTH (in)	AREA (ft ²)	WEIGHT x PIECE (lb)	WEIGHT x FT ² (lb)
1.97	24	48.00	8.00	40.96	5.12
1.97	24	80.11	13.33	68.25	5.12
1.97	24	96.06	16.00	81.92	5.12
2.95	24	48.00	8.00	61.44	7.68
2.95	24	80.11	13.33	102.37	7.68

